

G1290

GRUNDIG

Service Anleitung



8/80

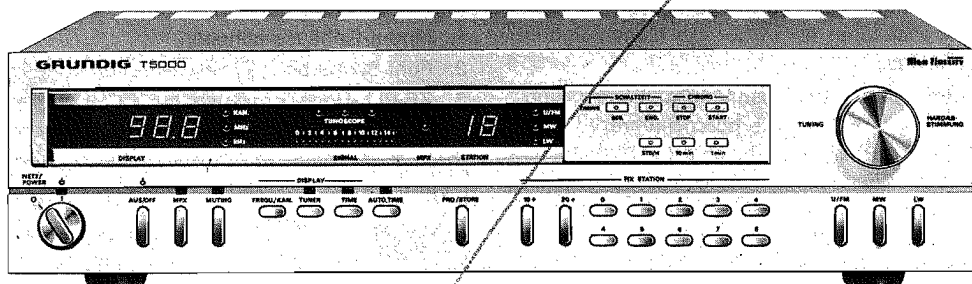
Tuner

T 5000

T 5000 GB

T 5000 U

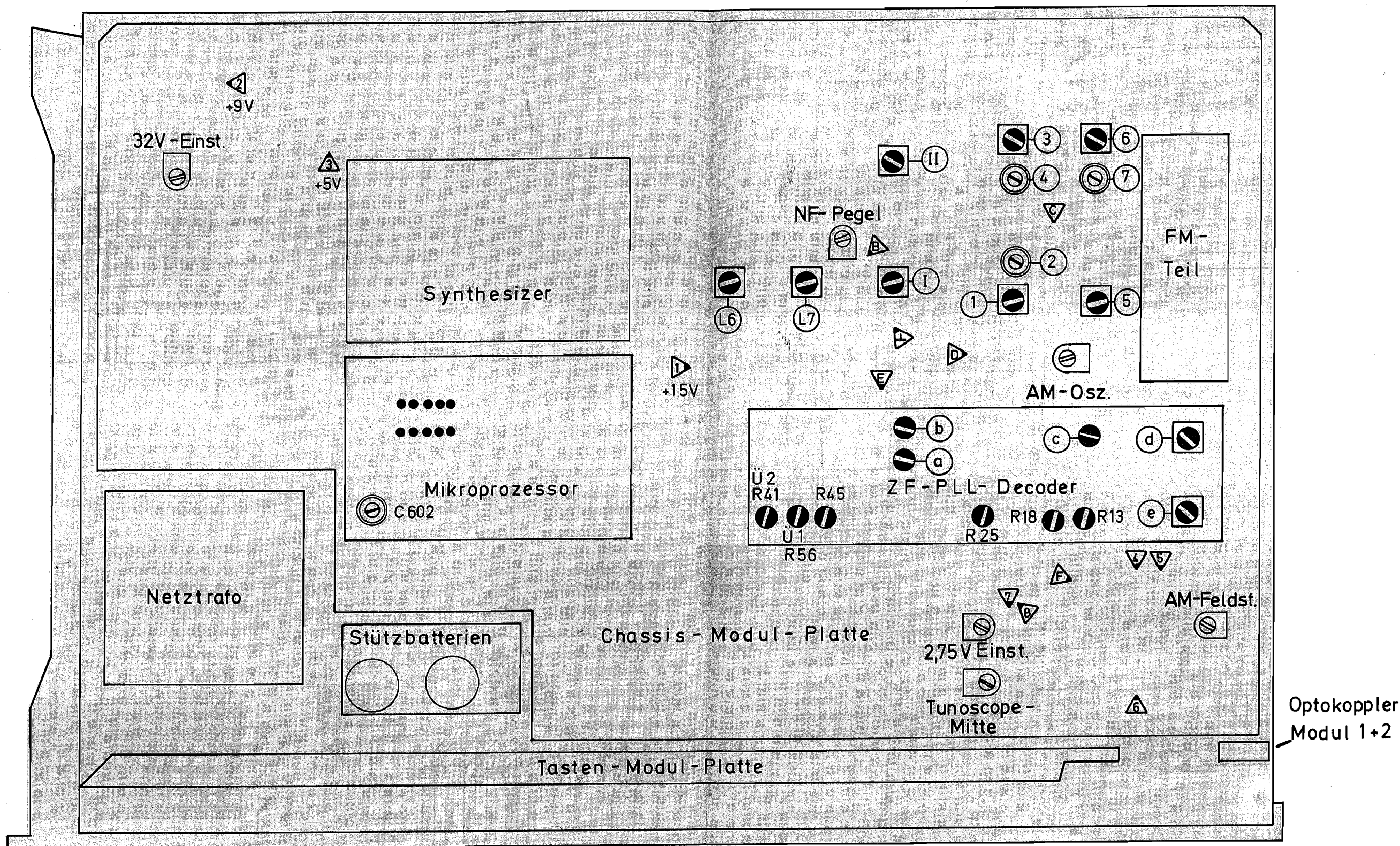
88894
0-18797
0-18798



Abgleich- und Prüfvorschrift

1. Allgemeine Hinweise
2. Ausbauhinweise
3. Mikroprozessor
4. Synthesizer
5. FM-Abgleich
 - 5.1 FM-HF-ZF-Abgleich
6. Einstellungen und Messungen am FM-Empfangsteil
 - 6.1 ZF-PLL-Decoder
 - 6.2 Mono-Stereo-Schaltswelle
 - 6.3 Mono-Stereo-Automatik
 - 6.4 Einstellung des Übersprechens
 - 6.5 Feldstärkeanzeige
 - 6.6 Angleichung und Überprüfung der NF-Ausgangspegel für links und rechts
 - 6.7 Messen des FM-Klirrfaktors
 - 6.8 Abgleich und Prüfen des Tunoscope
 - 6.9 FM-Fremdspannungsabstand: Mono
7. AM-Abgleich
 - 7.1 MW- und ZF-Abgleich
 - 7.2 MW-VK-Abgleich
 - 7.3 LW-Abgleich
 - 7.4 AM-Klirrfaktor
 - 7.5 Einstellen der Feldstärkeanzeige
8. Fehlersuchplan
9. Funktionsschaltbild
10. Abgleichlageplan

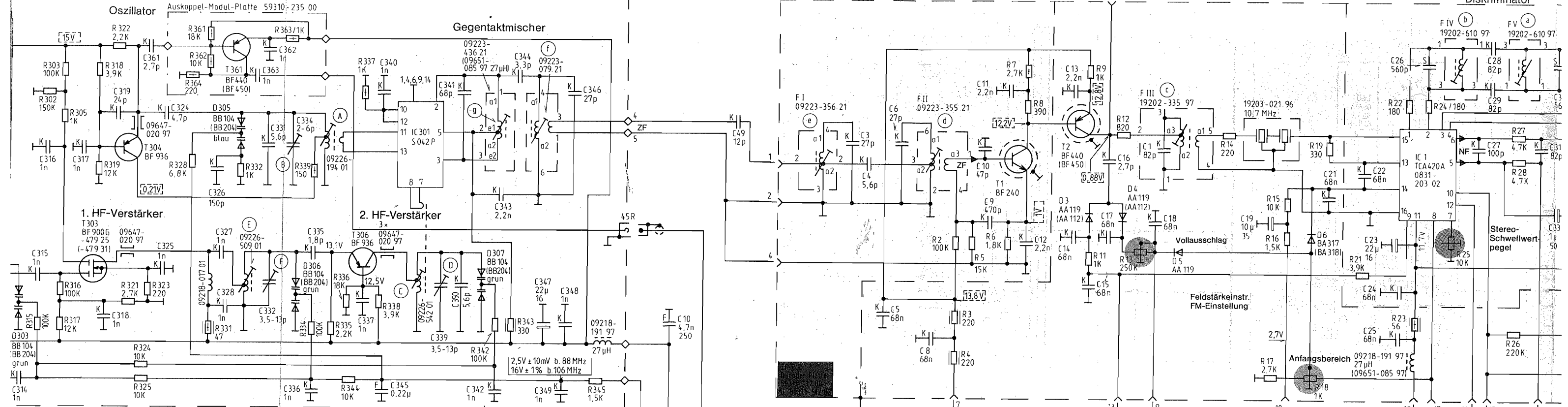
11. Abgleichlageplan
 ALIGNMENT SCHEME
 PLAN DE REGLAGE
 PIANO DI TARATURA



Auskoppelstufe für Synthesizer FM

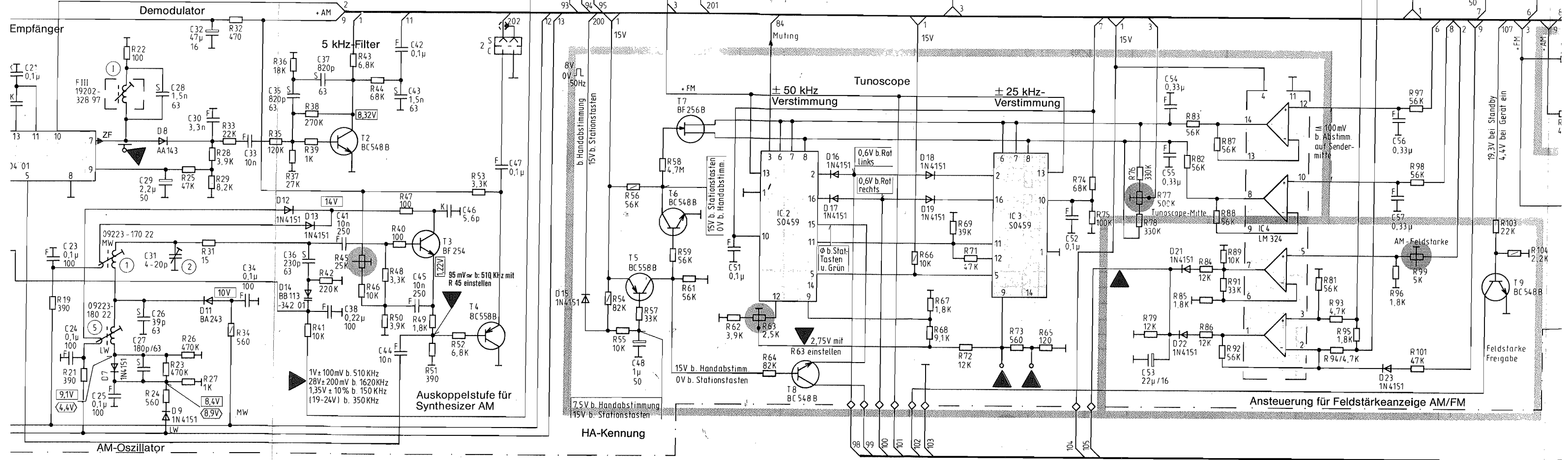
ZF-PLL-Dec. Steckmodul 59800-651 00 U: 59800-673.00

Diskriminator



Δ Bei 300mV Antennenspannung (Sender 1MHz)
WITH 300mV AERIAL INPUT (TRANSMITTER 1MHZ)
SUR 300mV TENSION D'ANTENNE (EMETTEUR 1MHZ)
CON 300mV DI ANTENNA (GENERATORE 1MHZ)

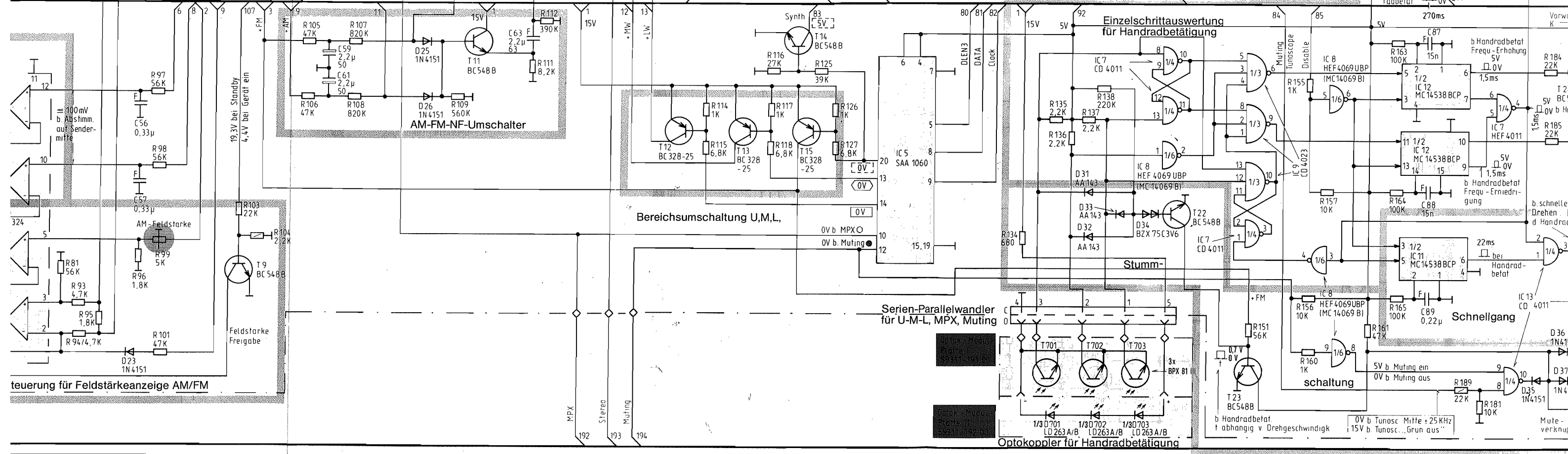
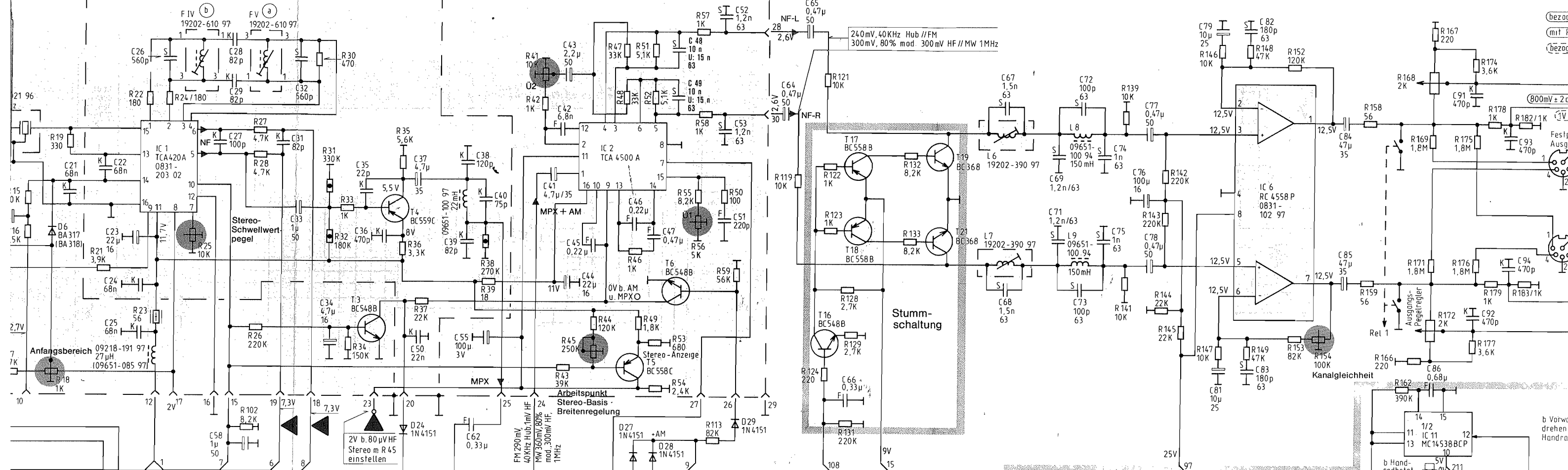
○ Bei Stellung MW ohne Antennensignal
AT MW POSITION WITHOUT SIGNAL
EN POS PO ET SANS SIGNAL
IN POS. OM IN SENZA DI SEGNALE D'ANTENNA



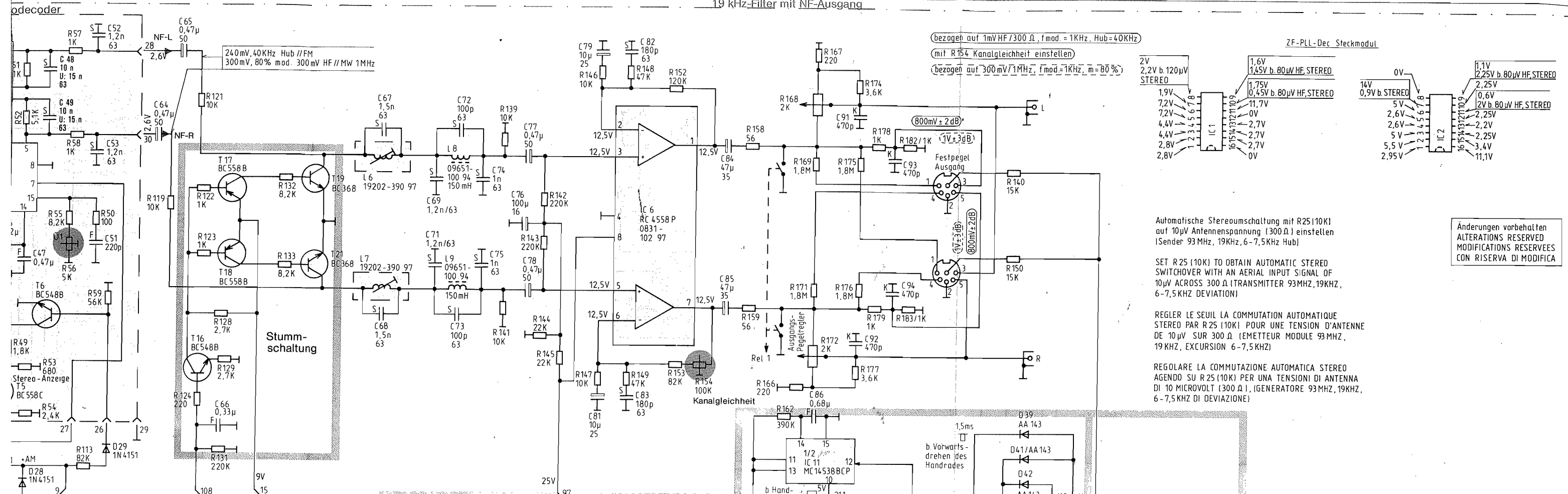
14.	315,316,23, 24,317, 318,319,	361, 324, 29,	326,327,	33, 362,	334,35,335,37,38,41, 337, 340,	42, 45,	339,46,341,	342,343,344,	347,	348, 346,	48,	10,	49,	51,	52,	53, 54,	55,	56,	57,	58,	59,	60,	61,	62,	63,64,	66,	67,	69, 71,	72,	73,	65,	74,	75,	76, 79,	82,83, 84,87,89,	81,	93,	95,	96,	97,101,	103,102,104,	100,	101,	102,	103,	104,	105,	106,	107,	108,	109,	110,	111,	112,	113,	114,	115,	116,	117,	118,	119,	120,	121,	122,	123,	124,	125,	126,	127,	128,	129,	130,	131,	132,	133,	134,	135,	136,	137,	138,	139,	140,	141,	142,	143,	144,	145,	146,	147,	148,	149,	150,	151,	152,	153,	154,	155,	156,	157,	158,	159,	160,	161,	162,	163,	164,	165,	166,	167,	168,	169,	170,	171,	172,	173,	174,	175,	176,	177,	178,	179,	180,	181,	182,	183,	184,	185,	186,	187,	188,	189,	190,	191,	192,	193,	194,	195,	196,	197,	198,	199,	200,	201,	202,	203,	204,	205,	206,	207,	208,	209,	210,	211,	212,	213,	214,	215,	216,	217,	218,	219,	220,	221,	222,	223,	224,	225,	226,	227,	228,	229,	230,	231,	232,	233,	234,	235,	236,	237,	238,	239,	240,	241,	242,	243,	244,	245,	246,	247,	248,	249,	250,	251,	252,	253,	254,	255,	256,	257,	258,	259,	260,	261,	262,	263,	264,	265,	266,	267,	268,	269,	270,	271,	272,	273,	274,	275,	276,	277,	278,	279,	280,	281,	282,	283,	284,	285,	286,	287,	288,	289,	290,	291,	292,	293,	294,	295,	296,	297,	298,	299,	300,	301,	302,	303,	304,	305,	306,	307,	308,	309,	310,	311,	312,	313,	314,	315,	316,	317,	318,	319,	320,	321,	322,	323,	324,	325,	326,	327,	328,	329,	330,	331,	332,	333,	334,	335,	336,	337,	338,	339,	340,	341,	342,	343,	344,	345,	346,	347,	348,	349,	350,	351,	352,	353,	354,	355,	356,	357,	358,	359,	360,	361,	362,	363,	364,	365,	366,	367,	368,	369,	370,	371,	372,	373,	374,	375,	376,	377,	378,	379,	380,	381,	382,	383,	384,	385,	386,	387,	388,	389,	390,	391,	392,	393,	394,	395,	396,	397,	398,	399,	400,	401,	402,	403,	404,	405,	406,	407,	408,	409,	410,	411,	412,	413,	414,	415,	416,	417,	418,	419,	420,	421,	422,	423,	424,	425,	426,	427,	428,	429,	430,	431,	432,	433,	434,	435,	436,	437,	438,	439,	440,	441,	442,	443,	444,	445,	446,	447,	448,	449,	450,	451,	452,	453,	454,	455,	456,	457,	458,	459,	460,	461,	462,	463,	464,	465,	466,	467,	468,	469,	470,	471,	472,	473,	474,	475,	476,	477,	478,	479,	480,	481,	482,	483,	484,	485,	486,	487,	488,	489,	490,	491,	492,	493,	494,	495,	496,	497,	498,	499,	500,	501,	502,	503,	504,	505,	506,	507,	508,	509,	510,	511,	512,	513,	514,	515,	516,	517,	518,	519,	520,	521,	522,	523,	524,	525,	526,	527,	528,	529,	530,	531,	532,	533,	534,	535,	536,	537,	538,	539,	540,	541,	542,	543,	544,	545,	546,	547,	548,	549,	550,	551,	552,	553,	554,	555,	556,	557,	558,	559,	560,	561,	562,	563,	564,	565,	566,	567,	568,	569,	570,	571,	572,	573,	574,	575,	576,	577,	578,	579,	580,	581,	582,	583,	584,	585,	586,	587,	588,	589,	590,	591,	592,	593,	594,	595,	596,	597,	598,	599,	600,	601,	602,	603,	604,	605,	606,	607,	608,	609,	610,	611,	612,	613,	614,	615,	616,	617,	618,	619,	620,	621,	622,	623,	624,	625,	626,	627,	628,	629,	630,	631,	632,	633,	634,	635,	636,	637,	638,	639,	640,	641,	642,	643,	644,	645,	646,	647,	648,	649,	650,	651,	652,	653,	654,	655,	656,	657,	658,	659,	660,	661,	662,	663,	664,	665,	666,	667,	668,	669,	670,	671,	672,	673,	674,	675,	676,	677,	678,	679,	680,	681,	682,	683,	684,	685,	686,	687,	688,	689,	690,	691,	692,	693,	694,	695,	696,	697,	698,	699,	700,	701,	702,	703,	704,	705,	706,	707,	708,	709,	710,	711,	712,	713,	714,	715,	716,	717,	718,	719,	720,	721,	722,	723,	724,	725,	726,	727,	728,	729,	730,	731,	732,	733,	734,	735,	736,	737,	738,	739,	740,	741,	742,	743,	744,	745,	746,	747,	748,	749,	750,	751,	752,	753,	754,	755,	756,	757,	758,	759,	760,	761,	762,	763,	764,	765,	766,	767,	768,	769,	770,	771,	772,	773,	774,	775,	776,	777,	778,	779,	780,	781,	782,	783,	784,	785,	786,	787,	788,	789,	790,	791,	792,	793,	794,	795,	796,	797,	798,	799,	800,	801,	802,	803,	804,	805,	806,	807,	808,	809,	810,	811,	812,	813,	814,	815,	816,	817,	818,	819,	820,	821,	822,	823,	824,	825,	826,	827,	828,	829,	830,	831,	832,	833,	834,	835,	836,	837,	838,	839,	840,	841,	842,	843,	844,	845,	846,	847,	848,	849,	850,	851,	852,	853,	854,	855,	856,	857,	858,	859,	860,	861,	862,	863,	864,	865,	866,	867,	868,	869,	870,	871,	872,	873,	874,	875,	876,	877,	878,	879,	880,	881,	882,	883,	884,	885,	886,	887,	888,	889,	890,	891,	892,	893,	894,	895,	896,	897,	898,	899,	900,	901,	902,	903,	904,	905,	906,	907,	908,	909,	910,	911,	912,	913,	914,	915,	916,	917,	918,	919,	920,	921,	922,	923,	924,	925,	926,	927,	928,	929,	930,	931,	932,	933,	934,	935,	936,	937,	938,	939,	940,	941,	942,	943,	944,	945,	946,	947,	948,	949,	950,	951,	952,	953,	954,	955,	956,	957,	958,	959,	960,	961,	962,	963,	964,	965,	966,	967,	968,	969,	970,	971,	972,	973,	974,	975,	976,	977,	978,	979,	980,	981,	982,	983,	984,	985,	986,	987,	988,	989,	990,	991,	992,	993,	994,	995,	996,	997,	998,	999,	1000,
-----	------------------------------	---------------	----------	----------	--------------------------------	---------	-------------	--------------	------	-----------	-----	-----	-----	-----	-----	---------	-----	-----	-----	-----	-----	-----	-----	-----	--------	-----	-----	---------	-----	-----	-----	-----	-----	---------	------------------	-----	-----	-----	-----	---------	--------------	------	------	------	------	------	------	------	------	------	------	------	------	------	------	------	------	------	------	------	------	------	------	------	------	------	------	------	------	------	------	------	------	------	------	------	------	------	------	------	------	------	------	------	------	------	------	------	------	------	------	------	------	------	------	------	------	------	------	------	------	------	------	------	------	------	------	------	------	------	------	------	------	------	------	------	------	------	------	------	------	------	------	------	------	------	------	------	------	------	------	------	------	------	------	------	------	------	------	------	------	------	------	------	------	------	------	------	------	------	------	------	------	------	------	------	------	------	------	------	------	------	------	------	------	------	------	------	------	------	------	------	------	------	------	------	------	------	------	------	------	------	------	------	------	------	------	------	------	------	------	------	------	------	------	------	------	------	------	------	------	------	------	------	------	------	------	------	------	------	------	------	------	------	------	------	------	------	------	------	------	------	------	------	------	------	------	------	------	------	------	------	------	------	------	------	------	------	------	------	------	------	------	------	------	------	------	------	------	------	------	------	------	------	------	------	------	------	------	------	------	------	------	------	------	------	------	------	------	------	------	------	------	------	------	------	------	------	------	------	------	------	------	------	------	------	------	------	------	------	------	------	------	------	------	------	------	------	------	------	------	------	------	------	------	------	------	------	------	------	------	------	------	------	------	------	------	------	------	------	------	------	------	------	------	------	------	------	------	------	------	------	------	------	------	------	------	------	------	------	------	------	------	------	------	------	------	------	------	------	------	------	------	------	------	------	------	------	------	------	------	------	------	------	------	------	------	------	------	------	------	------	------	------	------	------	------	------	------	------	------	------	------	------	------	------	------	------	------	------	------	------	------	------	------	------	------	------	------	------	------	------	------	------	------	------	------	------	------	------	------	------	------	------	------	------	------	------	------	------	------	------	------	------	------	------	------	------	------	------	------	------	------	------	------	------	------	------	------	------	------	------	------	------	------	------	------	------	------	------	------	------	------	------	------	------	------	------	------	------	------	------	------	------	------	------	------	------	------	------	------	------	------	------	------	------	------	------	------	------	------	------	------	------	------	------	------	------	------	------	------	------	------	------	------	------	------	------	------	------	------	------	------	------	------	------	------	------	------	------	------	------	------	------	------	------	------	------	------	------	------	------	------	------	------	------	------	------	------	------	------	------	------	------	------	------	------	------	------	------	------	------	------	------	------	------	------	------	------	------	------	------	------	------	------	------	------	------	------	------	------	------	------	------	------	------	------	------	------	------	------	------	------	------	------	------	------	------	------	------	------	------	------	------	------	------	------	------	------	------	------	------	------	------	------	------	------	------	------	------	------	------	------	------	------	------	------	------	------	------	------	------	------	------	------	------	------	------	------	------	------	------	------	------	------	------	------	------	------	------	------	------	------	------	------	------	------	------	------	------	------	------	------	------	------	------	------	------	------	------	------	------	------	------	------	------	------	------	------	------	------	------	------	------	------	------	------	------	------	------	------	------	------	------	------	------	------	------	------	------	------	------	------	------	------	------	------	------	------	------	------	------	------	------	------	------	------	------	------	------	------	------	------	------	------	------	------	------	------	------	------	------	------	------	------	------	------	------	------	------	------	------	------	------	------	------	------	------	------	------	------	------	------	------	------	------	------	------	------	------	------	------	------	------	------	------	------	------	------	------	------	------	------	------	------	------	------	------	------	------	------	------	------	------	------	------	------	------	------	------	------	------	------	------	------	------	------	------	------	------	------	------	------	------	------	------	------	------	------	------	------	------	------	------	------	------	------	------	------	------	------	------	------	------	------	------	------	------	------	------	------	------	------	------	------	------	------	------	------	------	------	------	------	------	------	------	------	------	------	------	------	------	------	------	------	------	------	------	------	------	------	------	------	------	------	------	------	------	------	------	------	------	------	------	------	------	------	------	------	------	------	------	------	------	------	------	------	------	------	------	------	------	------	------	------	------	------	------	------	------	------	------	------	------	------	------	------	------	------	------	------	------	------	------	------	------	------	------	------	------	------	------	------	------	------	------	------	------	------	------	------	------	------	------	------	------	------	------	------	------	------	------	------	------	------	------	------	------	------	------	------	------	------	------	------	------	------	------	------	------	------	-------

Diskriminator

Stereodecoder

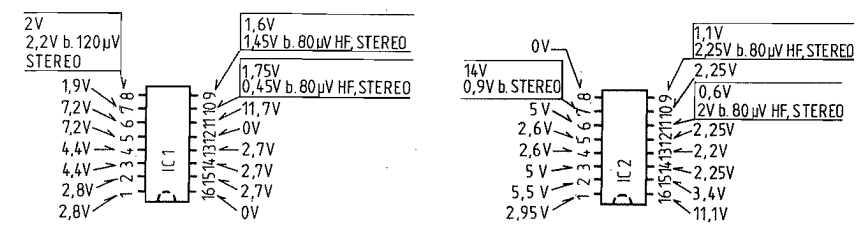


56.	57.	58.	59.	60.	61.	62.	63.	64.	65.	66.	67.	68.	69.	70.	71.	72.	73.	74.	75.	76.	77.	78.	79.	80.	81.	82.	83.	84.	85.	86.	87.	88.	89.	90.	91.	92.	93.	94.																																																																		
81.	82.	83.	84.	85.	86.	87.	88.	89.	90.	91.	92.	93.	94.	95.	96.	97.	98.	99.	100.	101.	102.	103.	104.	105.	106.	107.	108.	109.	110.	111.	112.	113.	114.	115.	116.	117.	118.	119.	120.	121.	122.	123.	124.	125.	126.	127.	128.	129.	130.	131.	132.	133.	134.	135.	136.	137.	138.	139.	140.	141.	142.	143.	144.	145.	146.	147.	148.	149.	150.	151.	152.	153.	154.	155.	156.	157.	158.	159.	160.	161.	162.	163.	164.	165.	166.	167.	168.	169.	170.	171.	172.	173.	174.	175.	176.	177.	178.	179.	180.	181.	182.	183.	184.	185.



(bezogen auf 1mVHF/300Ω, f mod. = 1KHz, Hub=40KHz)
 (mit R154 Kanalgleichheit einstellen)
 (bezogen auf 300mV/1MHz, f mod. = 1KHz, m=80%)

ZF-PLL-Dec Steckmodul



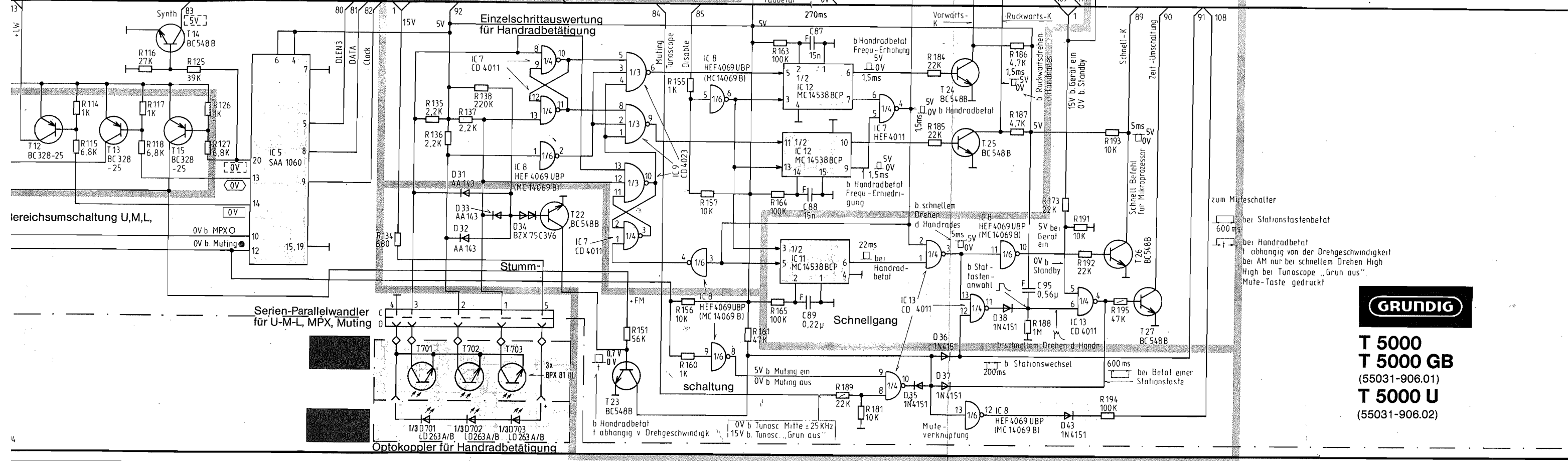
Automatische Stereumschaltung mit R25(10K) auf 10µV Antennenspannung (300Ω) einstellen (Sender 93MHz, 19KHz, 6-7,5KHz Hub)

SET R25 (10K) TO OBTAIN AUTOMATIC STEREO SWITCHOVER WITH AN AERIAL INPUT SIGNAL OF 10µV ACROSS 300Ω (TRANSMITTER 93MHZ, 19KHZ, 6-7.5 KHZ DEVIATION)

REGLER LE SEUIL LA COMMUTATION AUTOMATIQUE STEREO PAR R25 (10K) POUR UNE TENSION D'ANTENNE DE 10µV SUR 300Ω (EMETTEUR MODULE 93MHZ, 19KHZ, EXCURSION 6-7,5KHZ)

REGOLARE LA COMMUTAZIONE AUTOMATICA STEREO AGENDO SU R25 (10K) PER UNA TENSIONI DI ANTENNA DI 10 MICROVOLT (300Ω), (GENERATORE 93MHZ, 19KHZ, 6-7,5KHZ DI DEVIAZIONE)

Änderungen vorbehalten
 ALTERATIONS RESERVED
 MODIFICAZIONI RISERVATE
 CON RISERVA DI MODIFICA



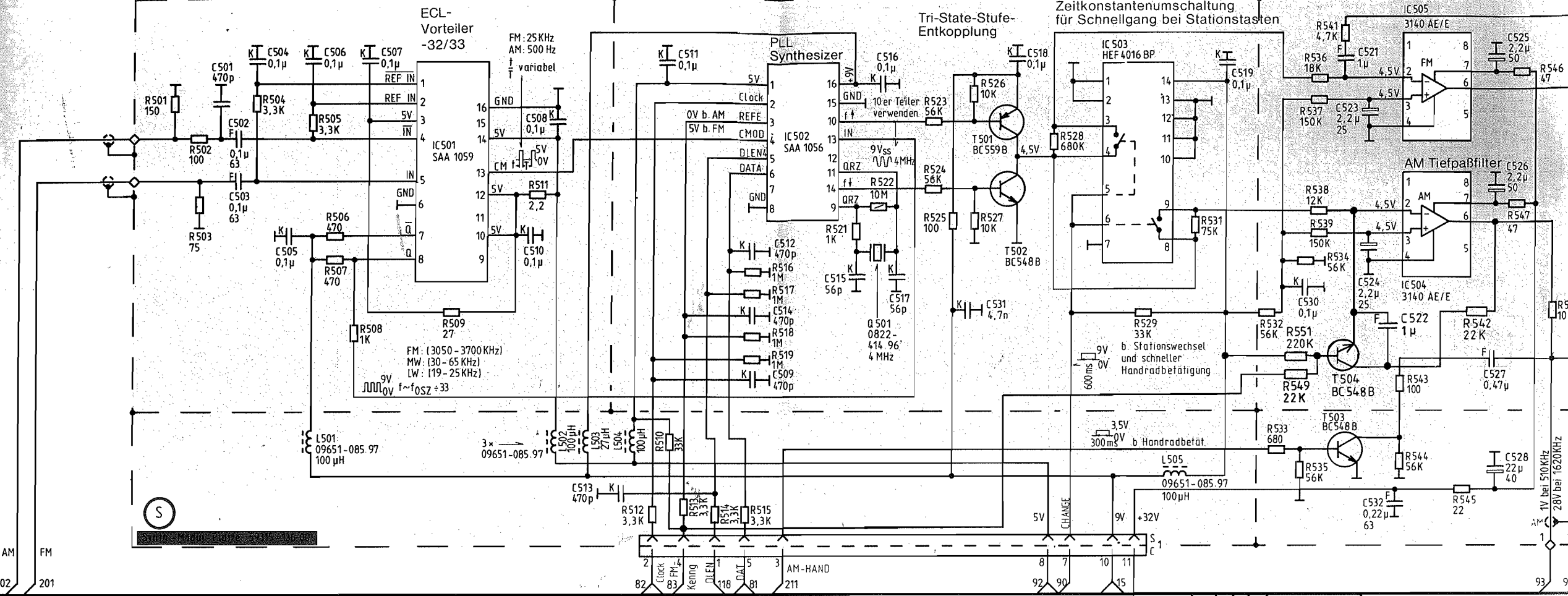
zum Muteschalter
 bei Stationstastenbetät. 600ms
 bei Handradbetät. abhängig von der Drehgeschwindigkeit bei AM nur bei schnellem Drehen High bei Tunoscope „Grün aus“ Mute-Taste gedrückt



T 5000
T 5000 GB
 (55031-906.01)
T 5000 U
 (55031-906.02)

64, 65, 66, 67, 68, 69, 70, 71, 72, 73, 74, 75, 76, 77, 78, 79, 80, 81, 82, 83, 84, 85, 86, 87, 88, 89, 90, 91, 92, 93, 94, 95

113, 114, 115, 116, 117, 118, 119, 121, 122, 125, 128, 123, 126, 129, 132, 133, 134, 135, 136, 137, 138, 139, 141, 142, 143, 144, 145, 147, 149, 146, 148, 151, 152, 153, 155, 156, 157, 158, 159, 162, 163, 164, 165, 166, 167, 168, 169, 171, 172, 173, 174, 175, 176, 177, 178, 179, 180, 181, 182, 183, 184, 185, 186, 187, 188, 189, 190, 191, 192, 193, 194, 195

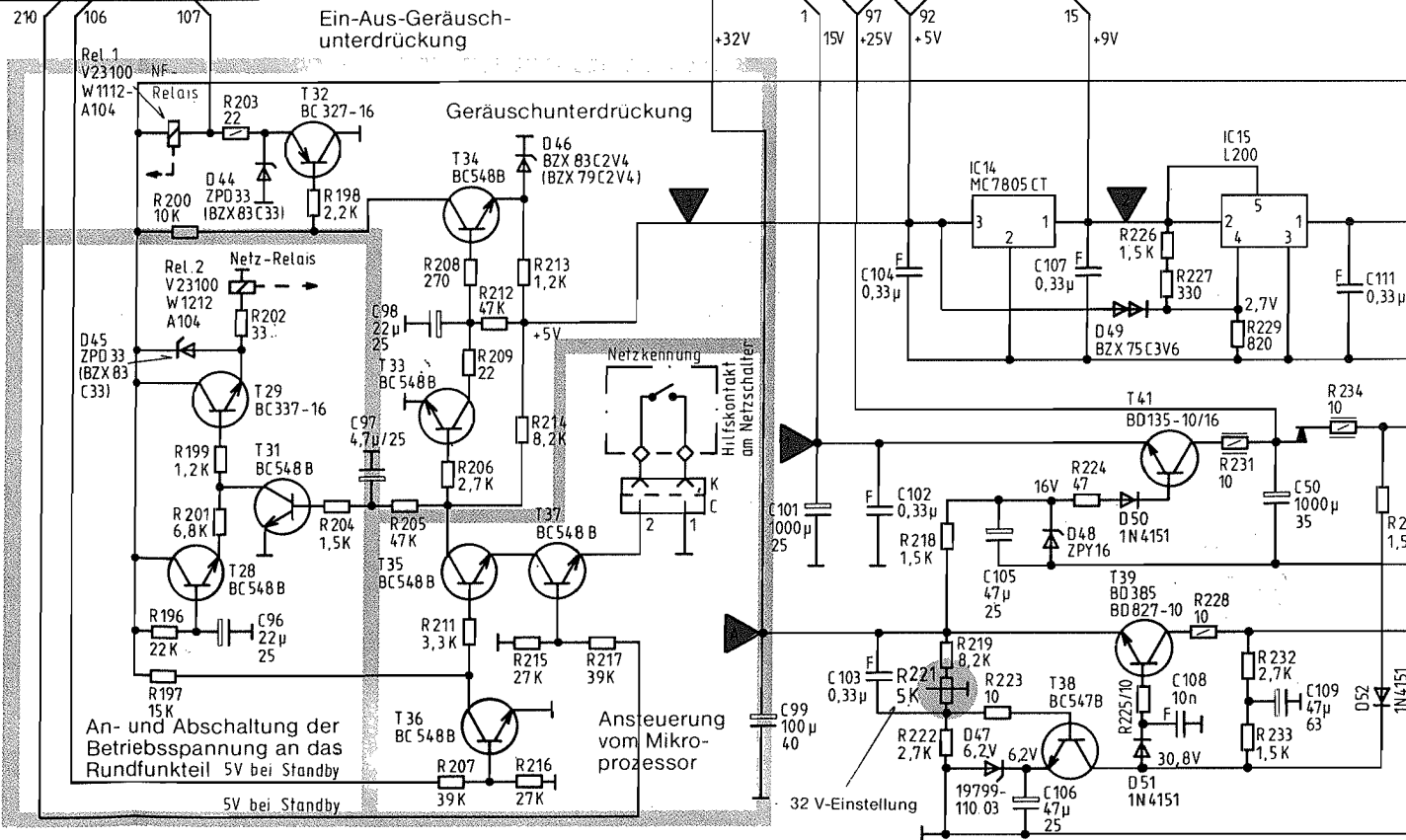


Spannungen mit Grundig-Millivoltmeter (Ri=10MΩ) und Multimeter, falls nicht anders angegeben, gegen Masse gemessen. Meßwerte gelten bei 220V~Netzspannung, (LW) MW FM-MONO ohne Signal, bei (1KHz) und bei 20°C Raumtemperatur. Sämtliche Spannungen über Trennwiderstand messen.

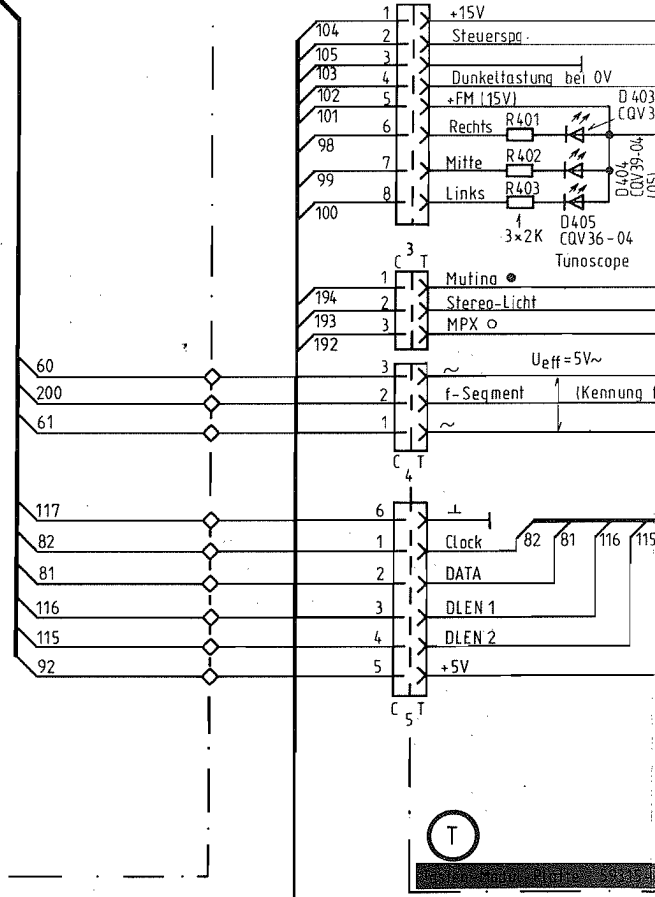
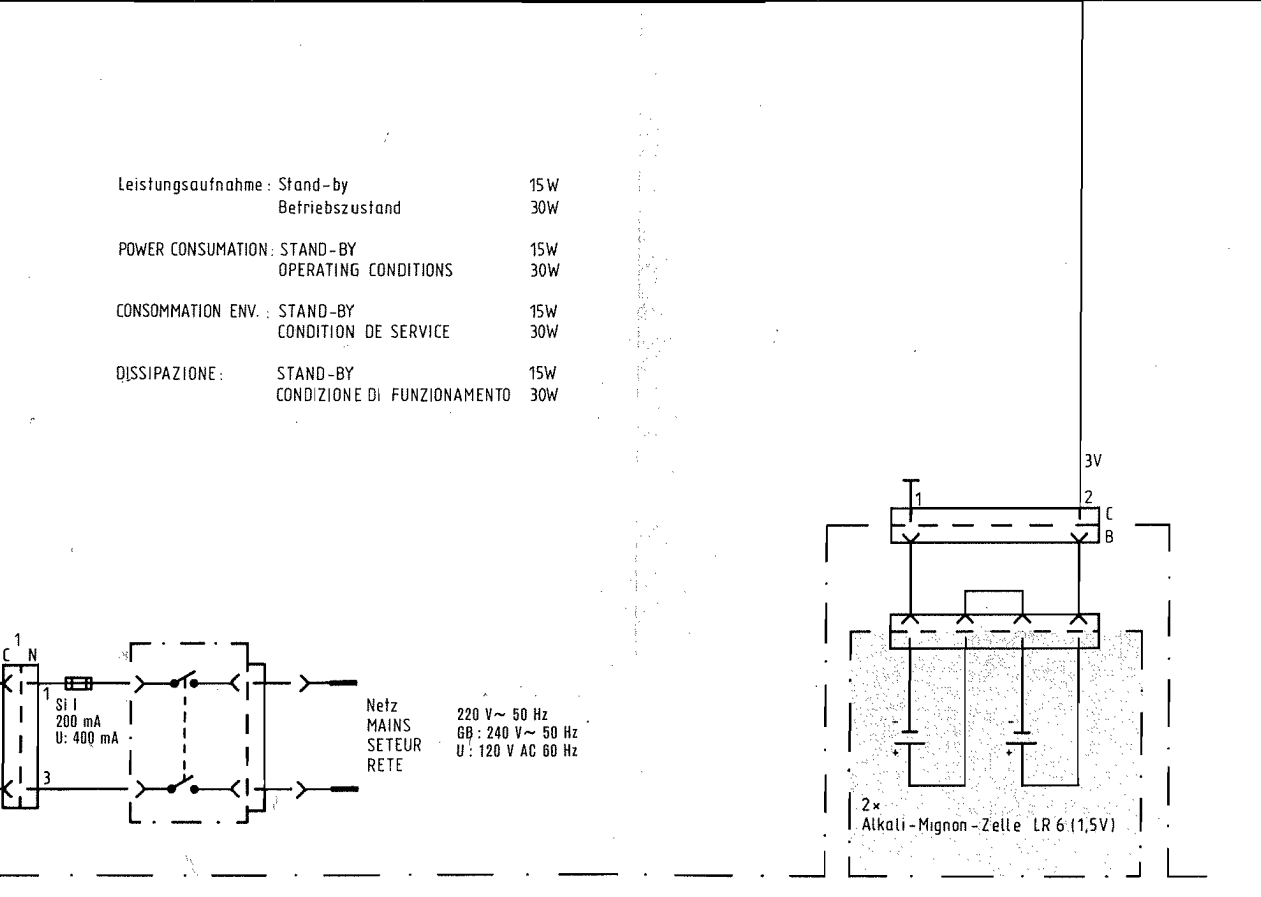
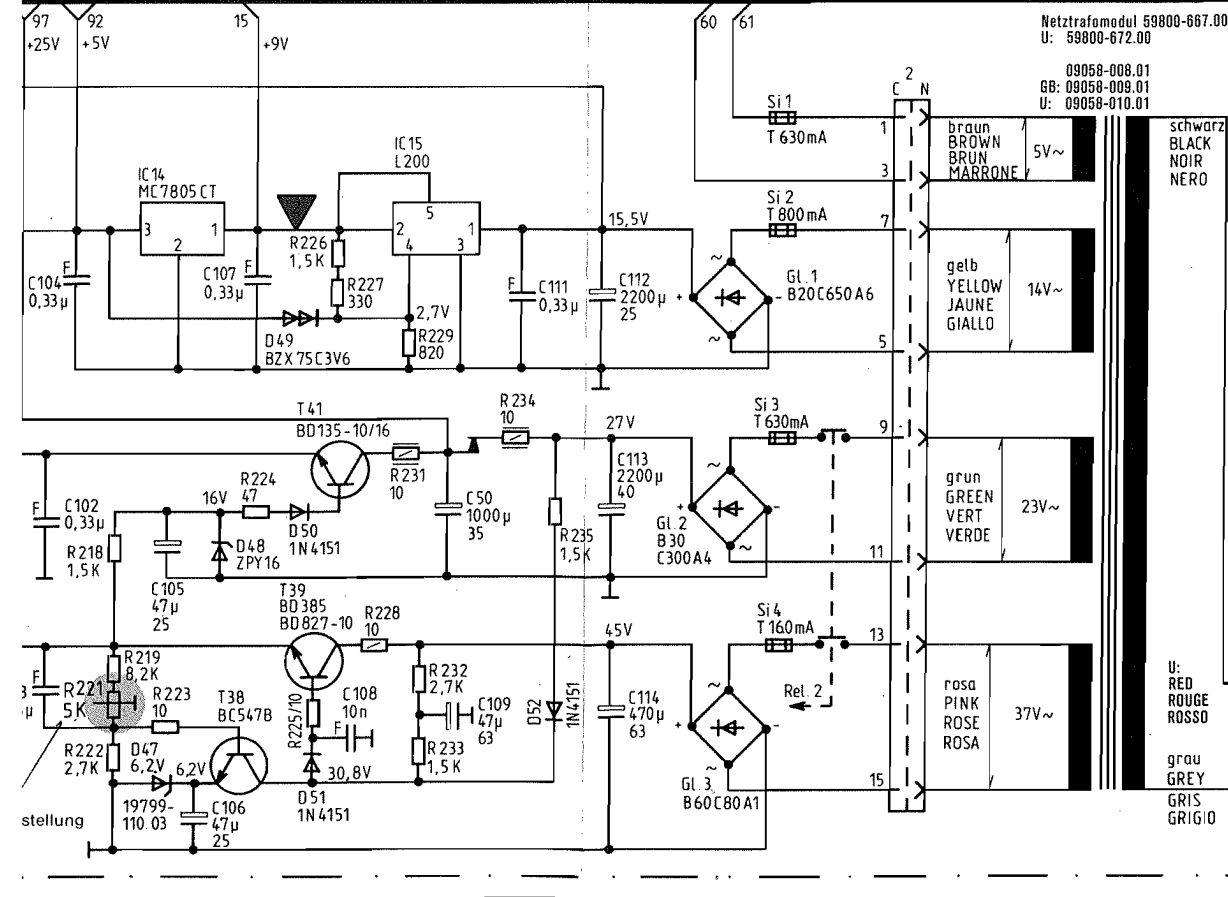
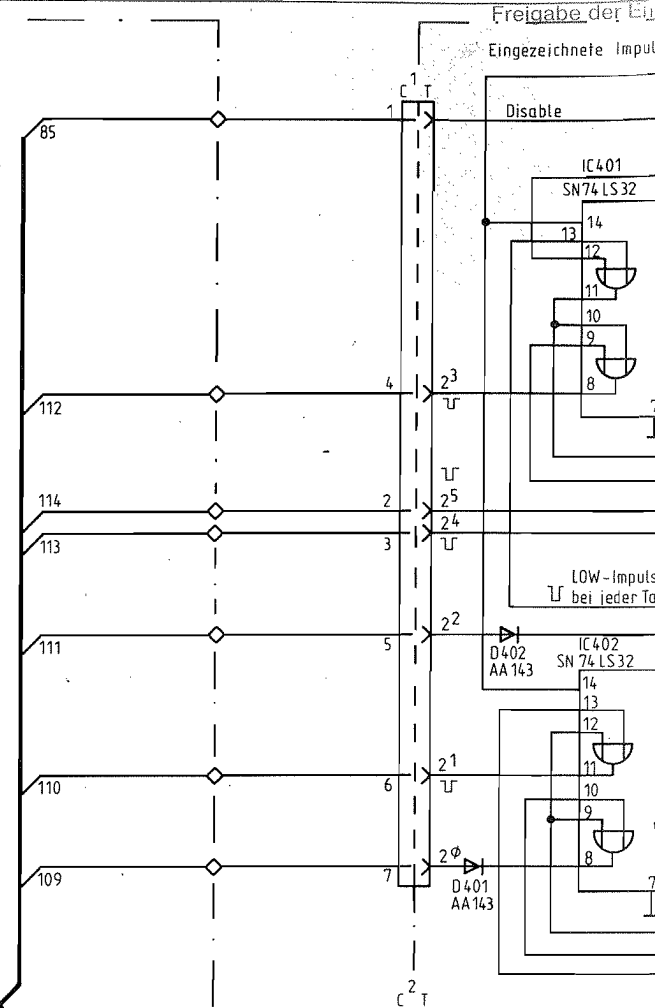
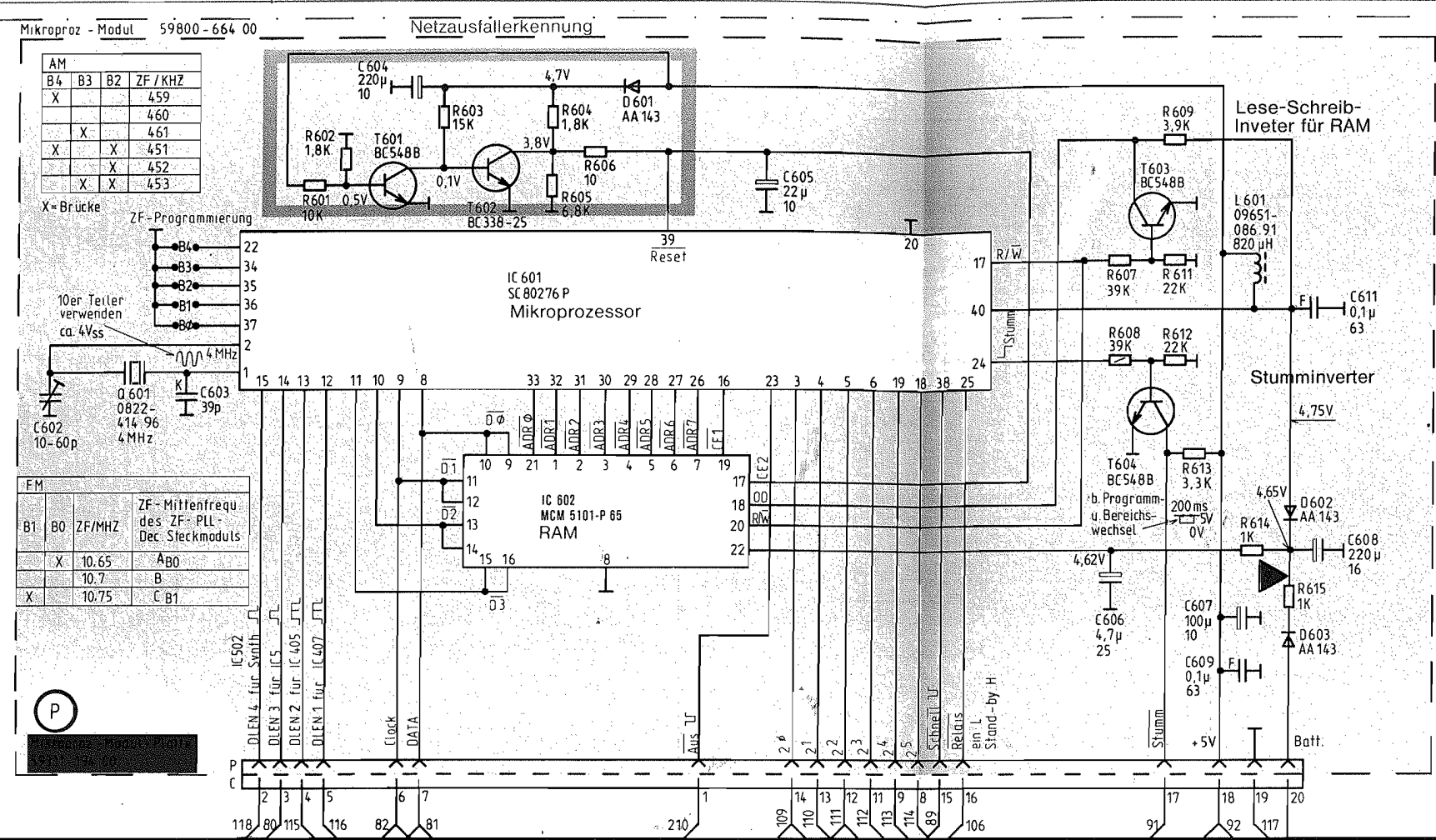
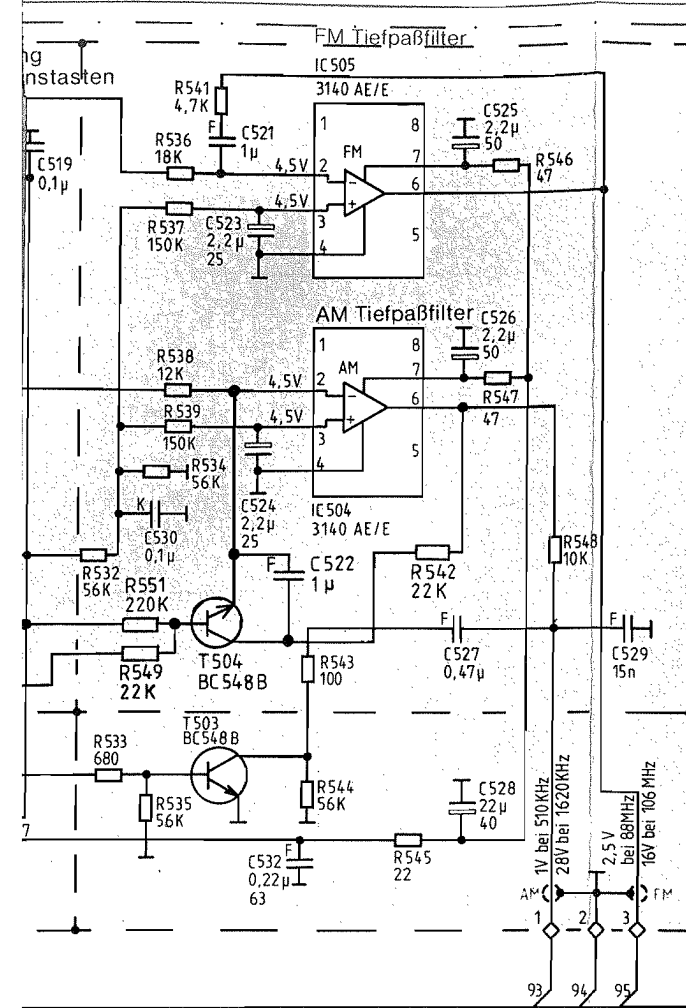
IF NOT OTHERWISE INDICATED ALL VOLTAGES ARE MEASURED AGAINST CHASSIS WITH A GRUNDIG MILLIVOLTMETER (Ri=10MΩ) AND MULTIMETER. THE VALUES ARE VALID FOR 220V AC MAINS VOLTAGE, WAVEBANDS (LW) MW FM-MONO, NO SIGNAL APPLIED TO (1KHz) AND 20°C AMBIENT TEMPERATURE. ALL VOLTAGES MUST BE MEASURED VIA SEPARATING RESISTOR.

SAUF INDICATION CONTRAIRE, LES TENSIONS SONT MESUREES PAR RAPPORT AU CHASSIS AVEC UN MILLIVOLTMETER GRUNDIG (Ri=10MΩ) ET MULTIMETRE. LES VALEURS SONT VALABLES POUR UNE TENSION SECTEUR DE 220V CA, DANS LES GAMMES D'ONDES (GO) PO FM-MONO, SANS SIGNAL DE (1KHz), ET TEMPERATURE AMBIANTE DE 20°C. SONT A MESURER A TRAVERS UNE RESISTANCE DE SEPARATION.

TENSIONI MISURATE CON MILLIVOLTMETRO GRUNDIG (Ri=10MΩ) E MULTIMETRO SALVE ALTRE INDICAZIONI, RIFERITE A MASSA I VALORI DI MISURA VALONO CON TENSIONE DI RETE DI 220V (OL) OM FM-MONO SENSA SEGNALE, DI (1KHz), E CON TEMPERATURA AMBIENTALE DI 20°C SONO MISURATE MEDIANTE UNA RESISTENZA DI SEPARAZIONE.



520,	501, 502, 504,	505, 506,	507,	510, 508,	513,	511,	512,	96, 515,	516, 517,	97,	98,	518,	99,	101, 519, 102, 104,	530, 105, 521, 523,	532,	108,	525, 528,	111,
	503,						514,	516, 519,	196, 200, 199, 203, 522, 198, 204,	523, 525, 526, 207, 211, 214,	528, 217,	529,	531,	551, 532, 218, 534, 537, 223,	543,	544, 226, 228, 545, 232,	546, 234, 548,		
	501,	502,	504,	505, 506, 508,	507,	509,	511,	512, 510, 513,	514,	515, 518,	196, 200, 199, 203, 522, 198, 204,	523, 525, 526, 207, 211, 214,	528, 217,	529,	531,	551, 532, 218, 534, 537, 223,	543,	544, 226, 228, 545, 232,	546, 234, 548,
		503,		507,				517,	517,	517,	517,	517,	517,	529,	531,	551, 532, 218, 534, 537, 223,	543,	544, 226, 228, 545, 232,	546, 234, 548,
																221, 222, 536, 539,			

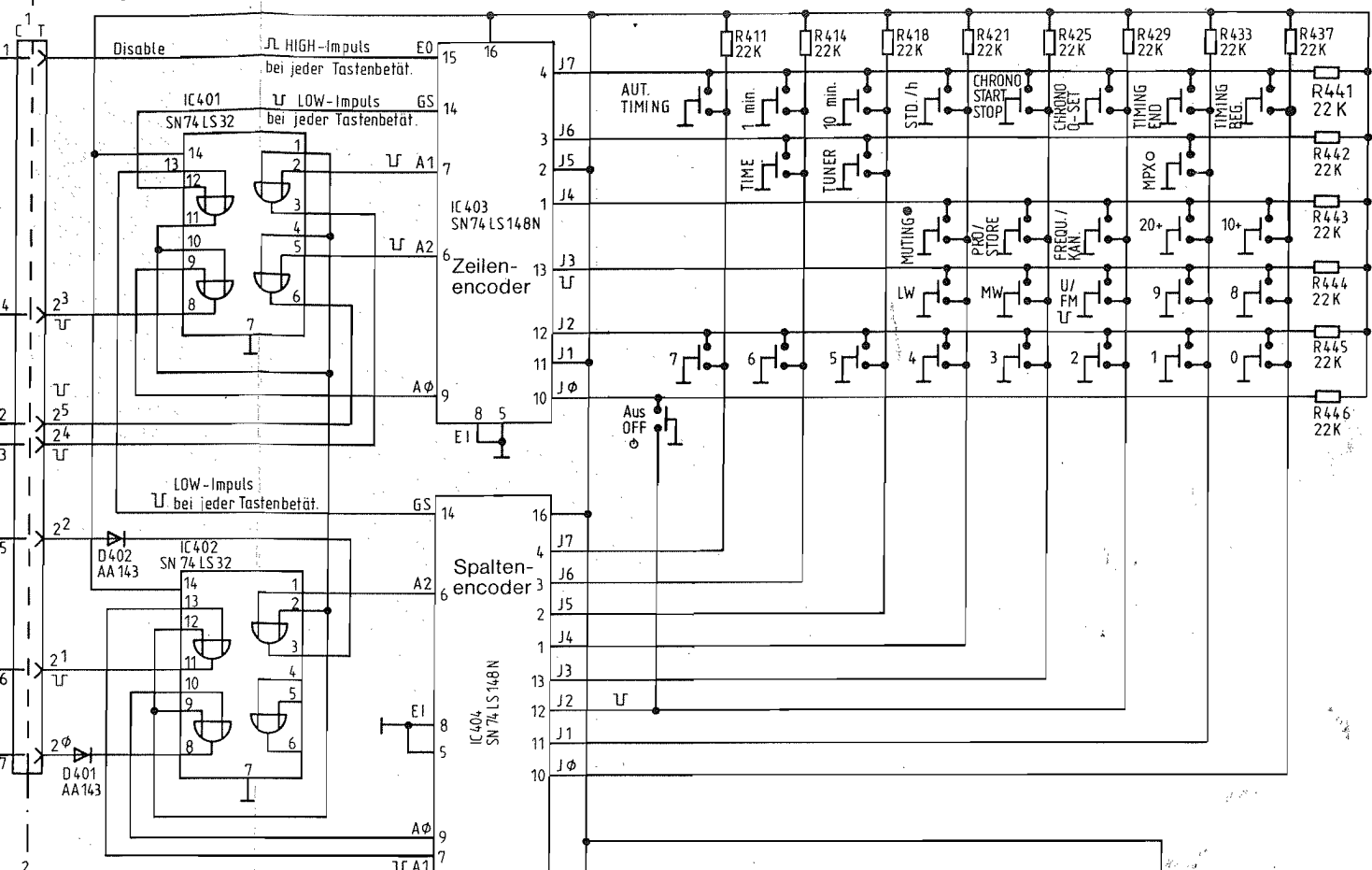


19, 102, 104, 530, 105, 521, 523, 532, 108, 525, 528, 111, 112, 529, 602, 603, 604, 605, 606, 607, 611, 608, 609, 610, 611, 612, 613, 614, 615, 616, 617, 618, 619, 620, 621, 622, 623, 624, 625, 626, 627, 628, 629, 630, 631, 632, 633, 634, 635, 636, 637, 638, 639, 640, 641, 642, 643, 644, 645, 646, 647, 648, 649, 650, 651, 652, 653, 654, 655, 656, 657, 658, 659, 660, 661, 662, 663, 664, 665, 666, 667, 668, 669, 670, 671, 672, 673, 674, 675, 676, 677, 678, 679, 680, 681, 682, 683, 684, 685, 686, 687, 688, 689, 690, 691, 692, 693, 694, 695, 696, 697, 698, 699, 700, 701, 702, 703, 704, 705, 706, 707, 708, 709, 710, 711, 712, 713, 714, 715, 716, 717, 718, 719, 720, 721, 722, 723, 724, 725, 726, 727, 728, 729, 730, 731, 732, 733, 734, 735, 736, 737, 738, 739, 740, 741, 742, 743, 744, 745, 746, 747, 748, 749, 750, 751, 752, 753, 754, 755, 756, 757, 758, 759, 760, 761, 762, 763, 764, 765, 766, 767, 768, 769, 770, 771, 772, 773, 774, 775, 776, 777, 778, 779, 780, 781, 782, 783, 784, 785, 786, 787, 788, 789, 790, 791, 792, 793, 794, 795, 796, 797, 798, 799, 800, 801, 802, 803, 804, 805, 806, 807, 808, 809, 810, 811, 812, 813, 814, 815, 816, 817, 818, 819, 820, 821, 822, 823, 824, 825, 826, 827, 828, 829, 830, 831, 832, 833, 834, 835, 836, 837, 838, 839, 840, 841, 842, 843, 844, 845, 846, 847, 848, 849, 850, 851, 852, 853, 854, 855, 856, 857, 858, 859, 860, 861, 862, 863, 864, 865, 866, 867, 868, 869, 870, 871, 872, 873, 874, 875, 876, 877, 878, 879, 880, 881, 882, 883, 884, 885, 886, 887, 888, 889, 890, 891, 892, 893, 894, 895, 896, 897, 898, 899, 900, 901, 902, 903, 904, 905, 906, 907, 908, 909, 910, 911, 912, 913, 914, 915, 916, 917, 918, 919, 920, 921, 922, 923, 924, 925, 926, 927, 928, 929, 930, 931, 932, 933, 934, 935, 936, 937, 938, 939, 940, 941, 942, 943, 944, 945, 946, 947, 948, 949, 950, 951, 952, 953, 954, 955, 956, 957, 958, 959, 960, 961, 962, 963, 964, 965, 966, 967, 968, 969, 970, 971, 972, 973, 974, 975, 976, 977, 978, 979, 980, 981, 982, 983, 984, 985, 986, 987, 988, 989, 990, 991, 992, 993, 994, 995, 996, 997, 998, 999, 1000.

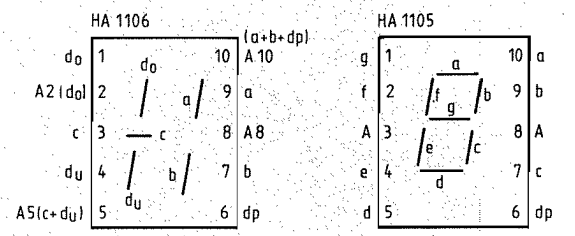
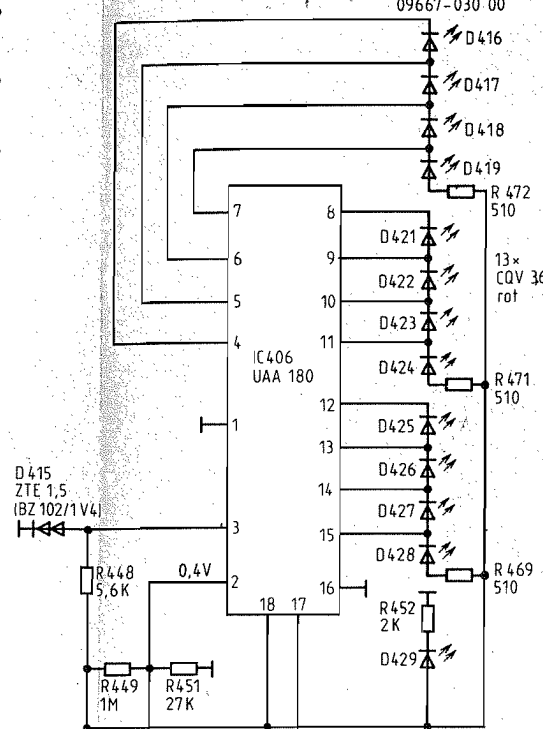
Freigabe der Encodierten Eingangsdaten

Eingezeichnete Impulse entstehen wenn U/FM-Taste gedrückt wird

Tastensatz



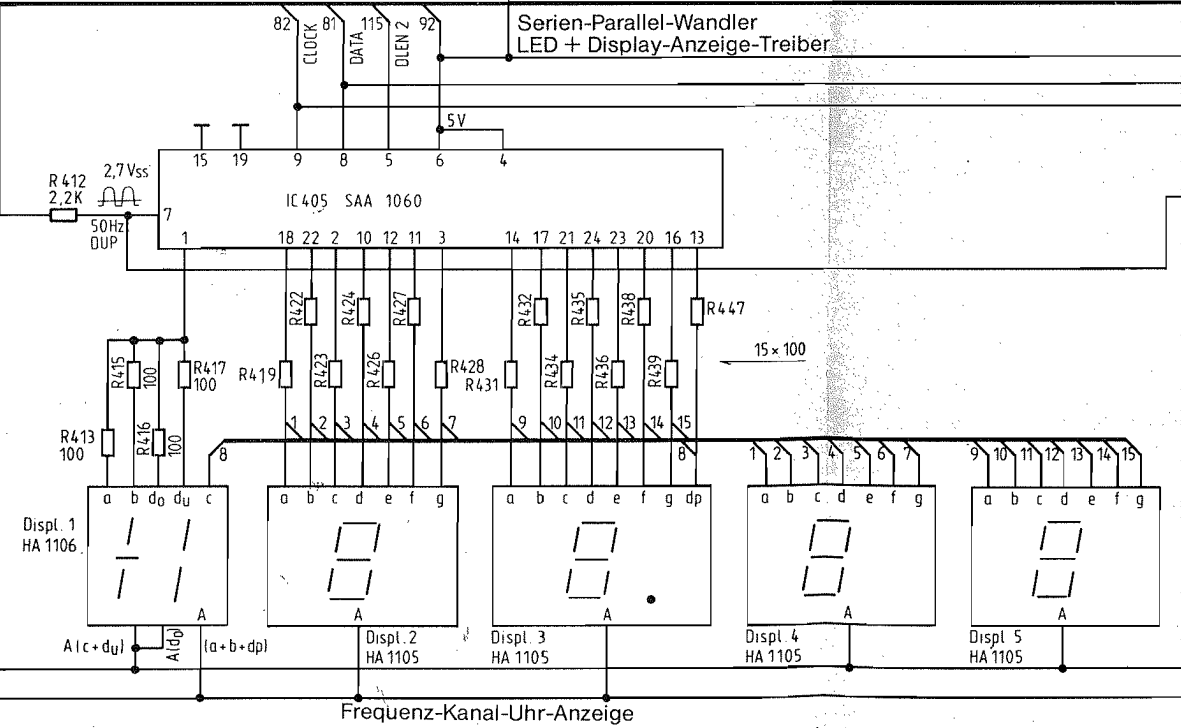
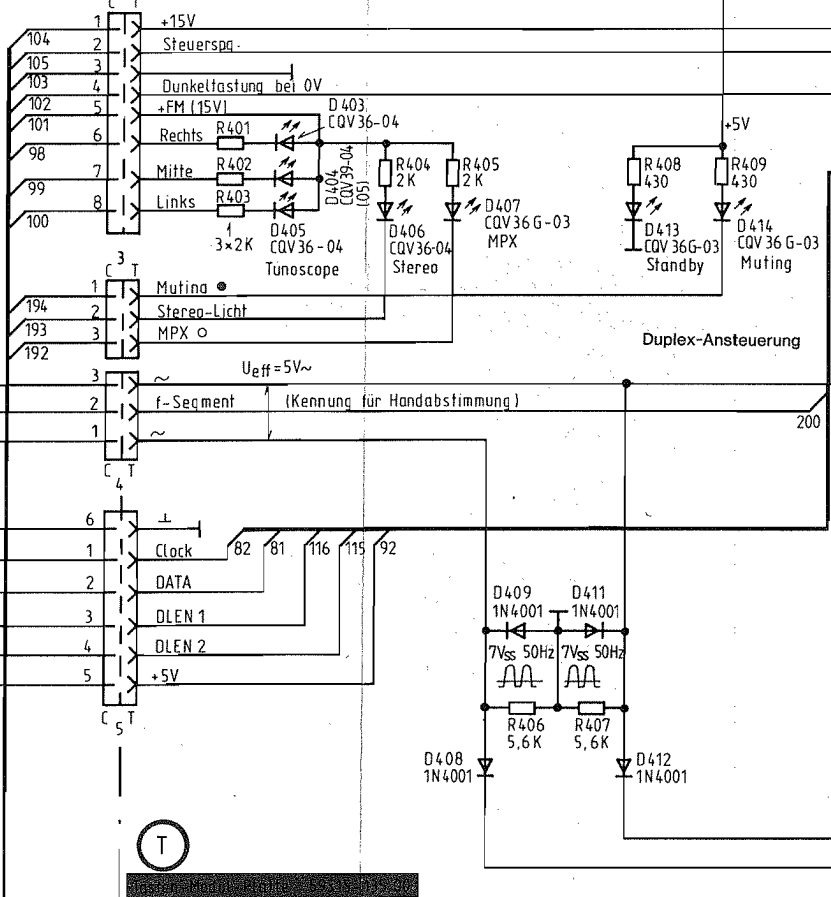
Feldstärke-Anzeige AM-FM kpl.



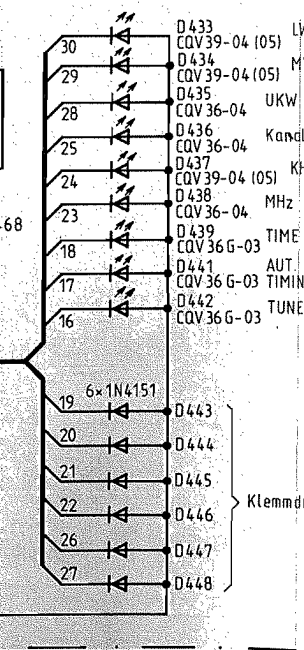
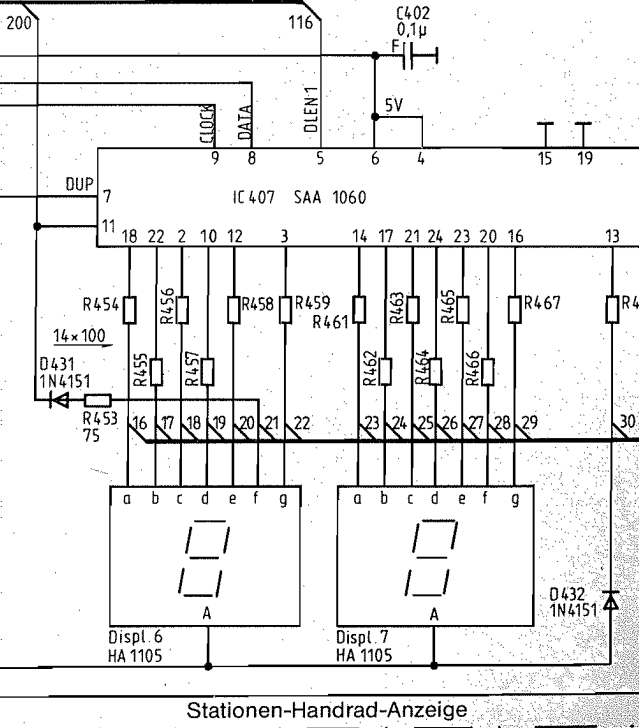
Taste gedrückt	PIN
Aus / OFF	H
Station 0	H
Station 1	H
Station 2	H
Station 3	H
Station 4	H
Station 5	H
Station 6	H
Station 7	H
Station 8	H
Station 9	H
U/FM	H
MW	H
LW	H
10+	H
20+	H
FREQU. / KAN.	H
PRO / STORE	H
MUTING	H
MPX	H
TUNER	H
TIME	H
TIMING BEG.	H
TIMING END	H
CHRONO-0-SET	H
CHR. START/STOP	H
Std.	H
10 min.	H
1 min.	H
AUT. TIMING	H

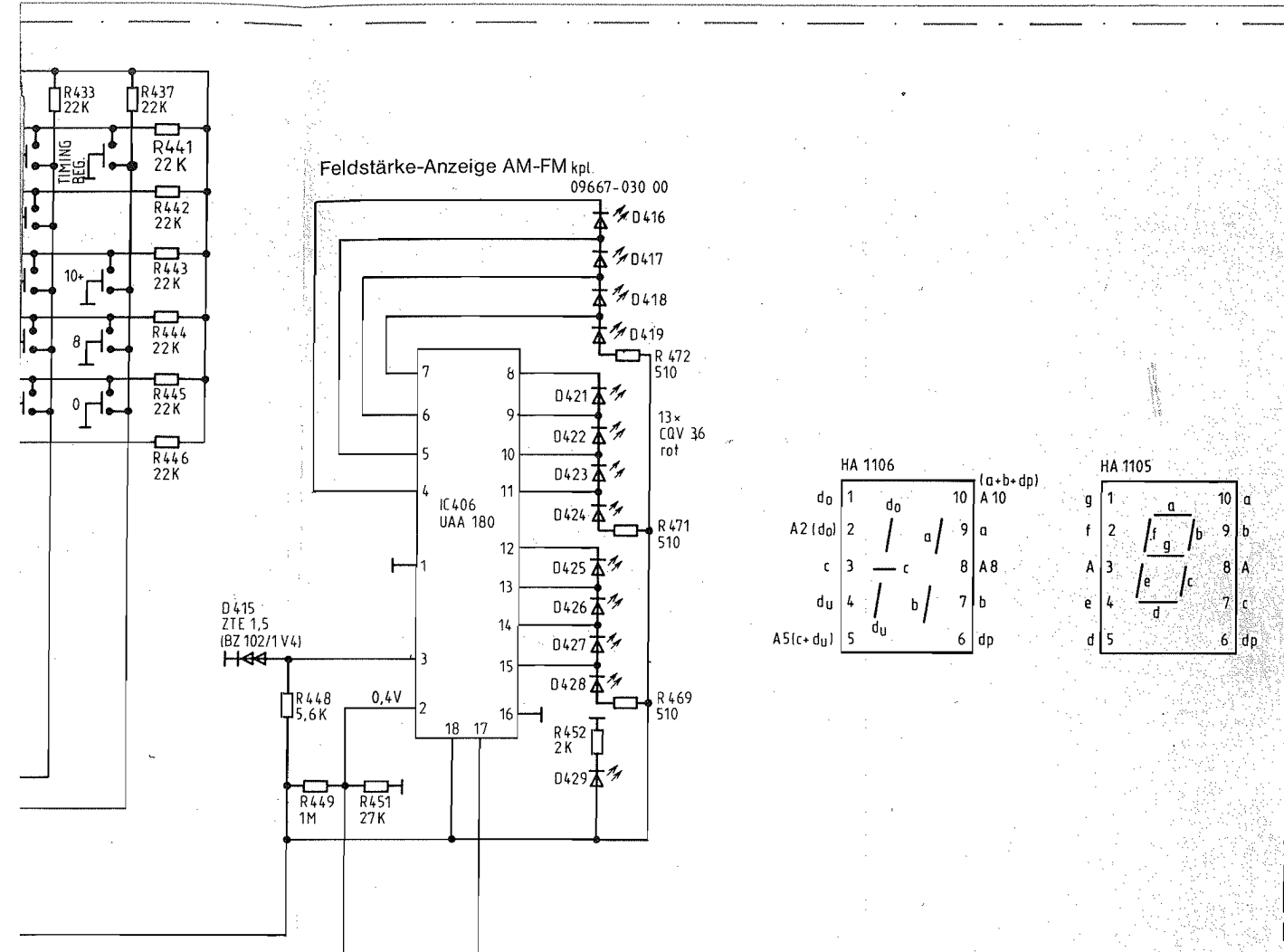
Funktionstabelle

Signale an Stec



Serien-Parallel-Wandler LED + Display-Anzeige-Treiber





Taste gedrückt	PIN 1 Disable	PIN 2 2 ⁵	PIN 3 2 ⁴	PIN 4 2 ³	PIN 5 2 ²	PIN 6 2 ¹	PIN 7 2 ⁰
Aus / OFF	H	H	H	H	H	L	H
Station 0	H	H	L	H	H	H	L
Station 1	H	H	L	H	H	L	L
Station 2	H	H	L	H	H	L	L
Station 3	H	H	L	H	H	L	L
Station 4	H	H	L	H	L	H	H
Station 5	H	H	L	H	L	H	L
Station 6	H	H	L	H	L	L	H
Station 7	H	H	L	H	L	L	L
Station 8	H	H	L	L	H	H	H
Station 9	H	H	L	L	H	H	L
U/FM	H	H	L	L	H	L	H
MW	H	H	L	L	H	L	L
LW	H	H	L	L	L	H	H
10+	H	L	H	H	H	H	H
20+	H	L	H	H	H	H	L
FREQU. / KAN.	H	L	H	H	H	L	H
PRO / STORE	H	L	H	H	H	L	L
MUTING •	H	L	H	H	L	H	H
MPX ○	H	L	L	H	H	H	L
TUNER	H	L	L	H	L	H	L
TIME	H	L	L	H	L	L	H
TIMING BEGIN	H	L	L	L	H	H	H
TIMING END	H	L	L	L	H	H	L
CHRONO-0-SET	H	L	L	L	H	L	H
CHR. START/STOP	H	L	L	L	H	L	L
Std.	H	L	L	L	L	H	H
10 min.	H	L	L	L	L	H	L
1 min.	H	L	L	L	L	L	H
AUT. TIMING	H	L	L	L	L	L	L

Funktionstabelle H: U = 2V L: U = 0,8V

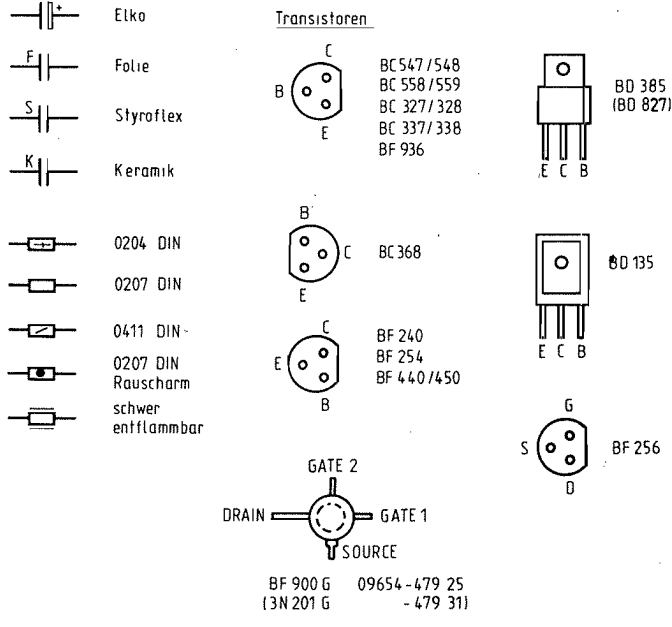
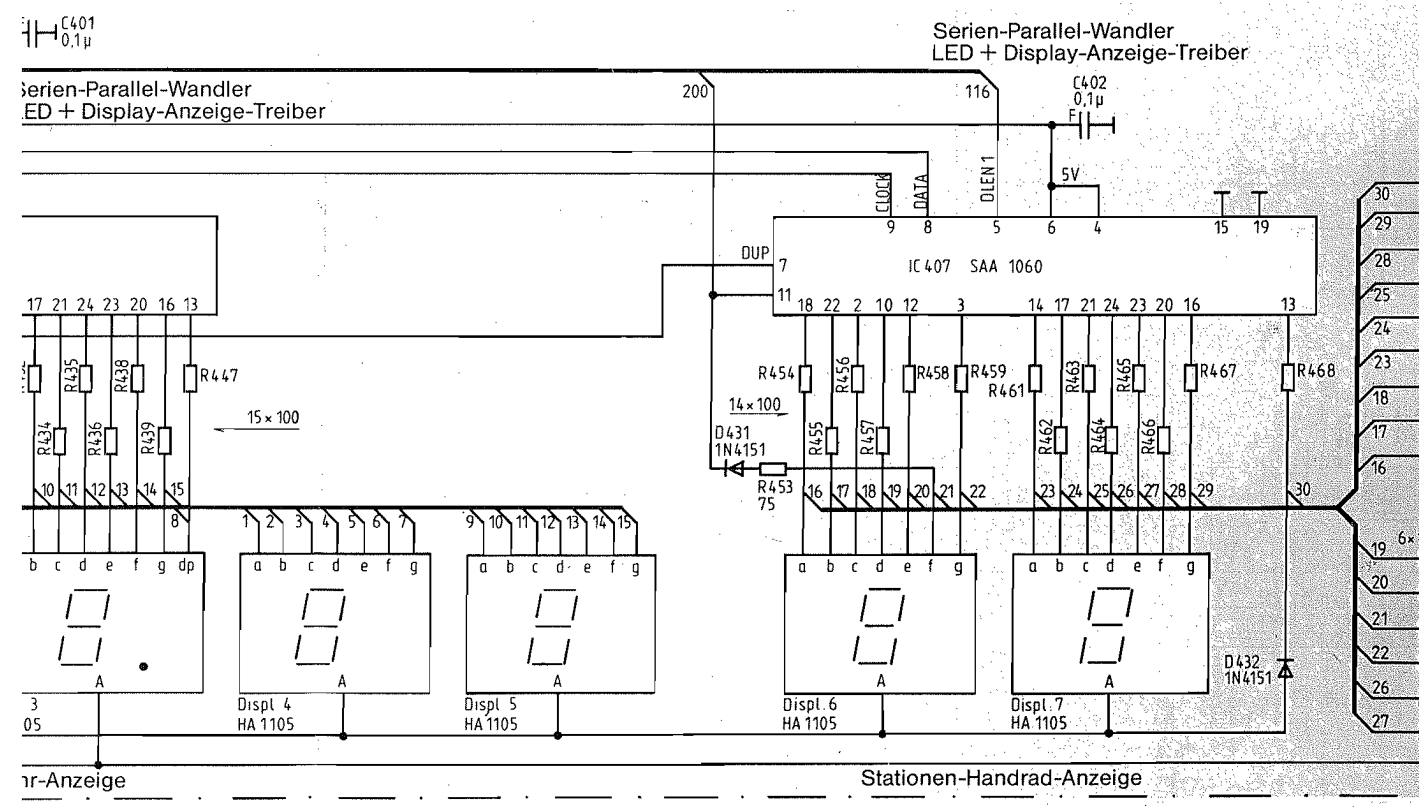
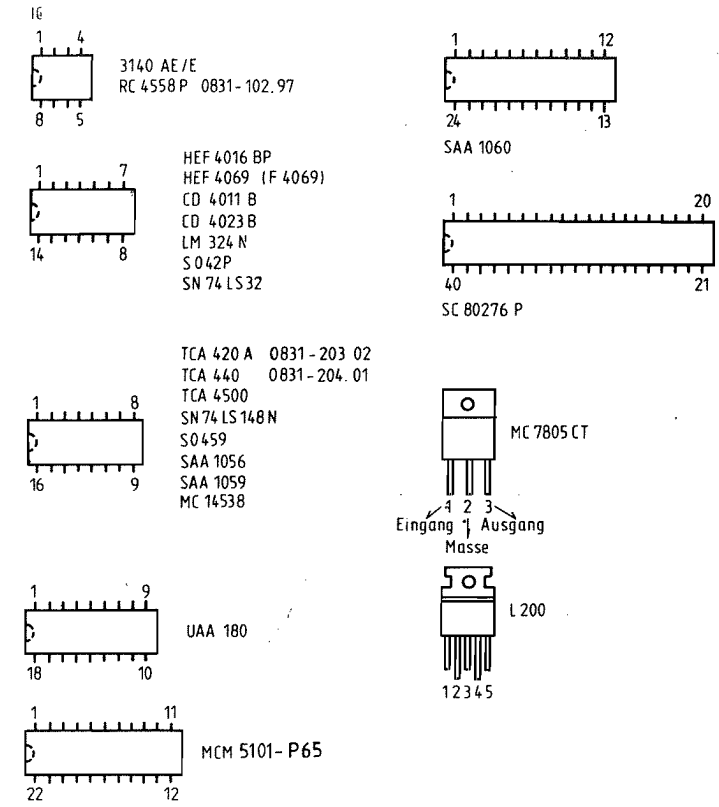
Signale an Steckverbindung C-T 1

Dioden:

- BB 113 09654-342 01
- 6,2V 19799-110 03

Abstimmindioden:

- BB 104 (204) GR 19799-135 11
- BB 104 (204) BL 19799-135 01



Ersatztypen in Klammer ()
 INTERCHANGEABLE TYPES IN BRACKETS ()
 TYPES DE RECHANGE EN PARENTHESES ()
 TIPI DI RICAMBI IN ()

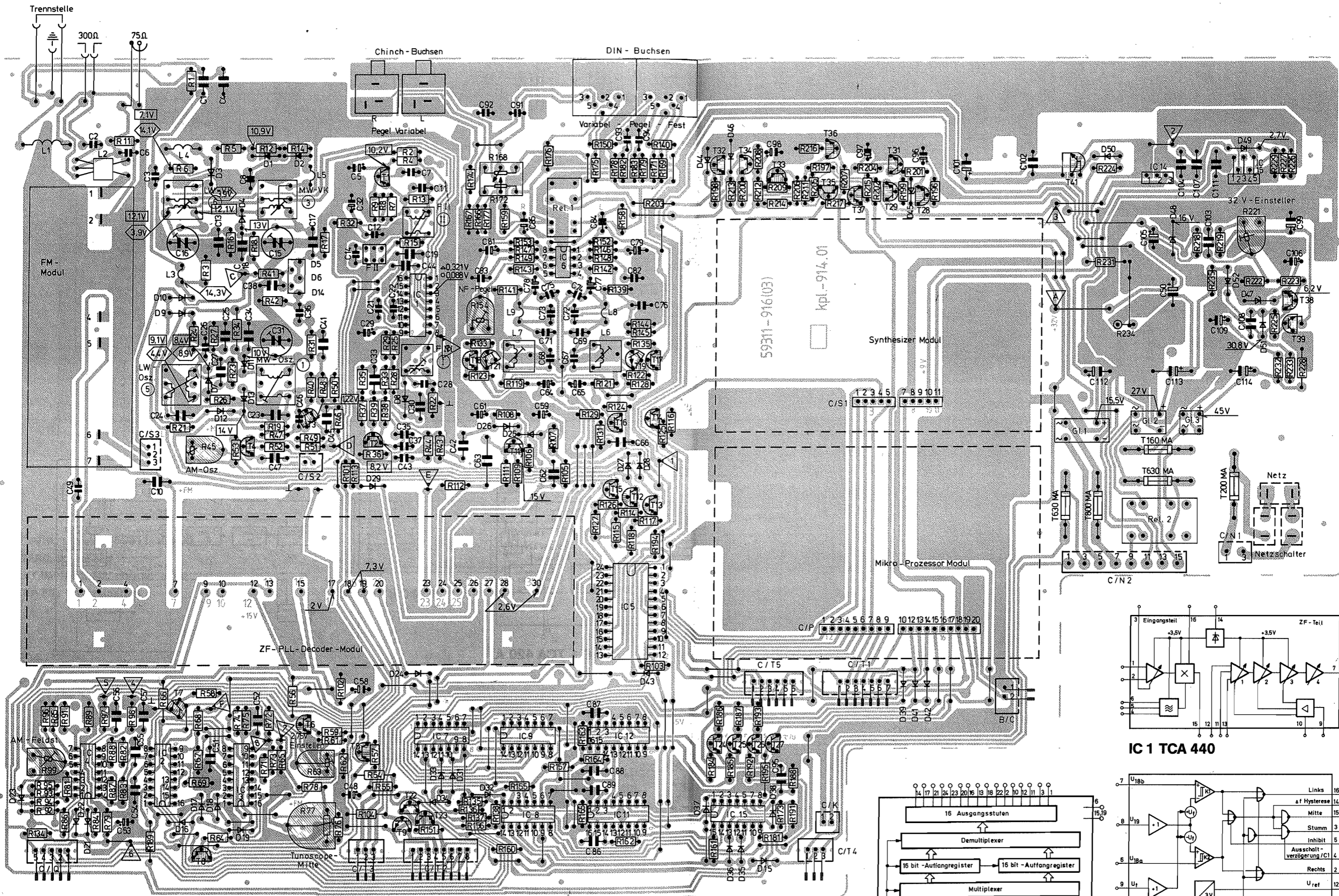
Vornummer für Dioden und Transistoren
 INDEX NUMBER FOR DIODES AND TRANSISTORS
 CHIFFRES REPÈRES POUR DIODES ET TRANSISTORS
 SIGLA PER DIODI E TRANSISTORI



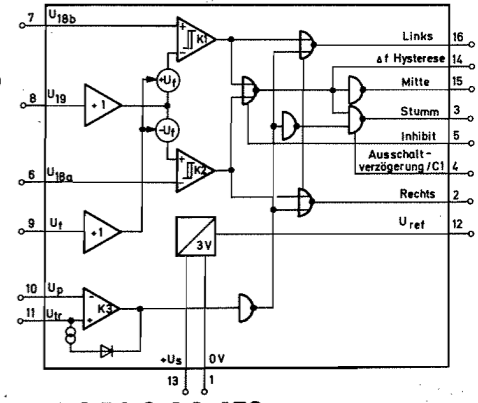
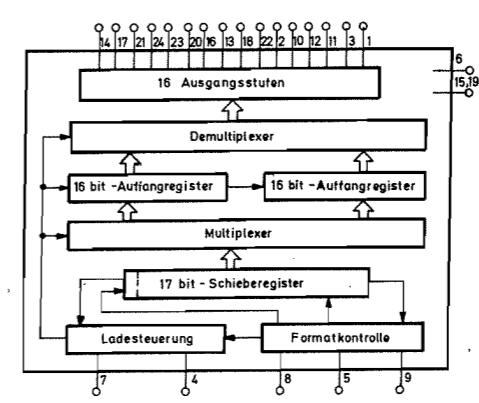
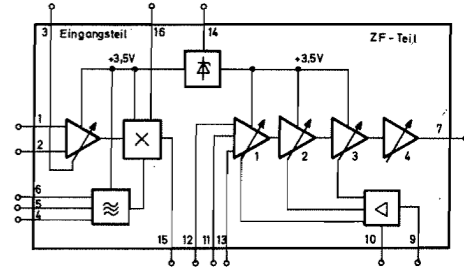
T 5000
T 5000 GB
 (55031-906.01)
T 5000 U
 (55031-906.02)

Ansicht von unten/BOTTOM VIEW / VUE DE DESSOUS/VISTA DA SOTTO

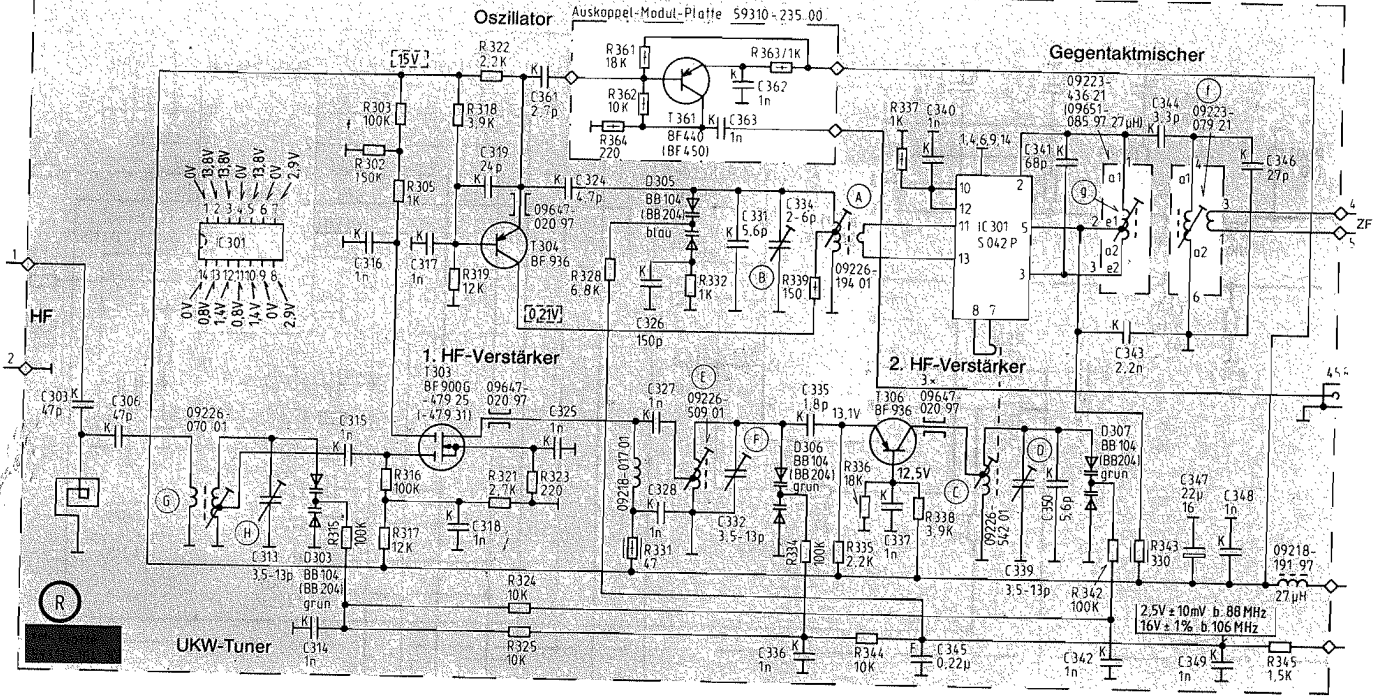
01.	432, 433, 435, 436, 437, 439, 443, 446, 448, 449, 451, 452, 472, 471, 471, 469	402.	453, 454, 455, 456, 457, 458, 459, 461, 462, 463, 464, 465, 466, 467, 468
-----	--	------	---



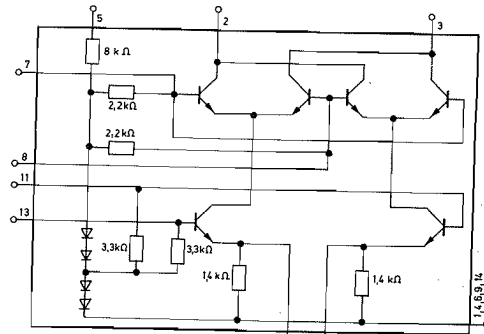
Chassis-Platte, Lötselste 59311-190.00
CHASSIS BOARD, SOLDER SIDE
CIRCUIT IMPRIME CHASSIS, COTE SOUDURES
PIASTRA CHASSIS, LATO SALDATURE



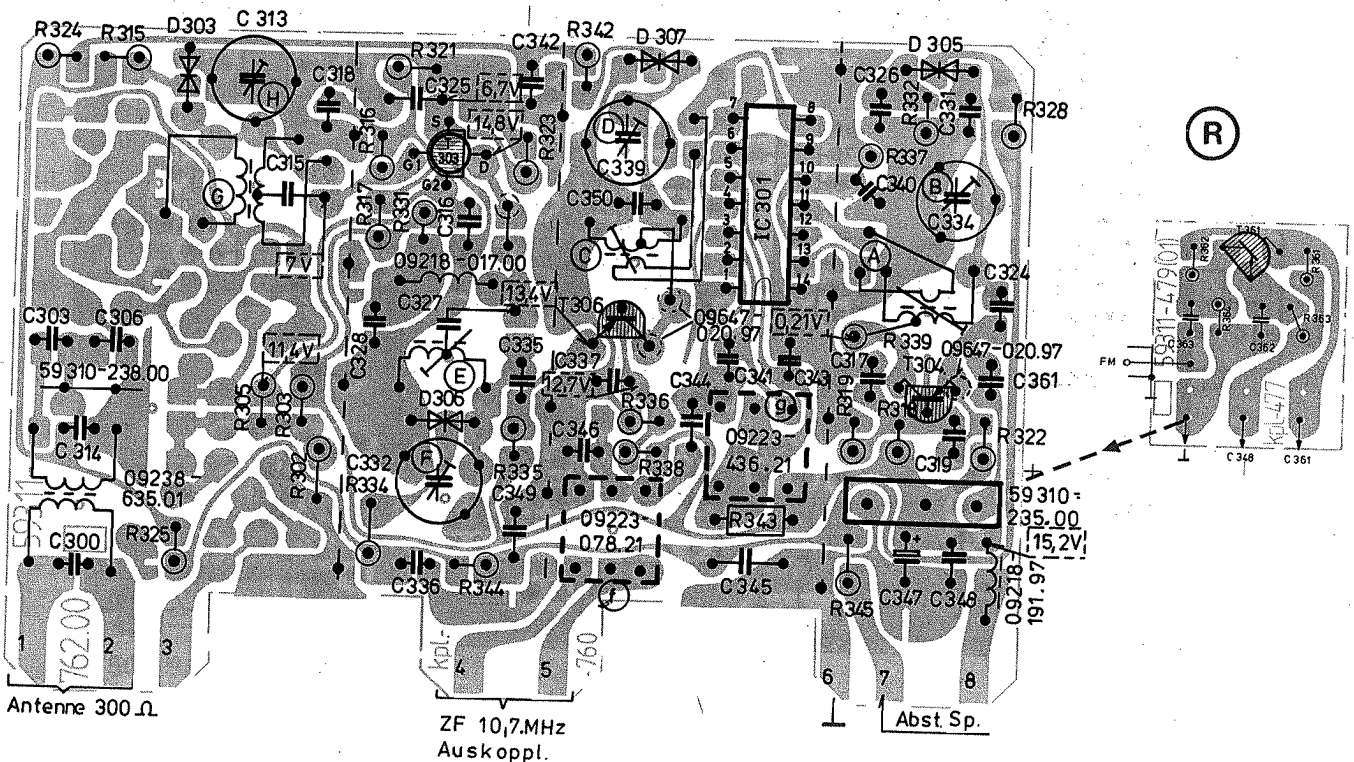
Auskoppelstufe für Synthesizer FM

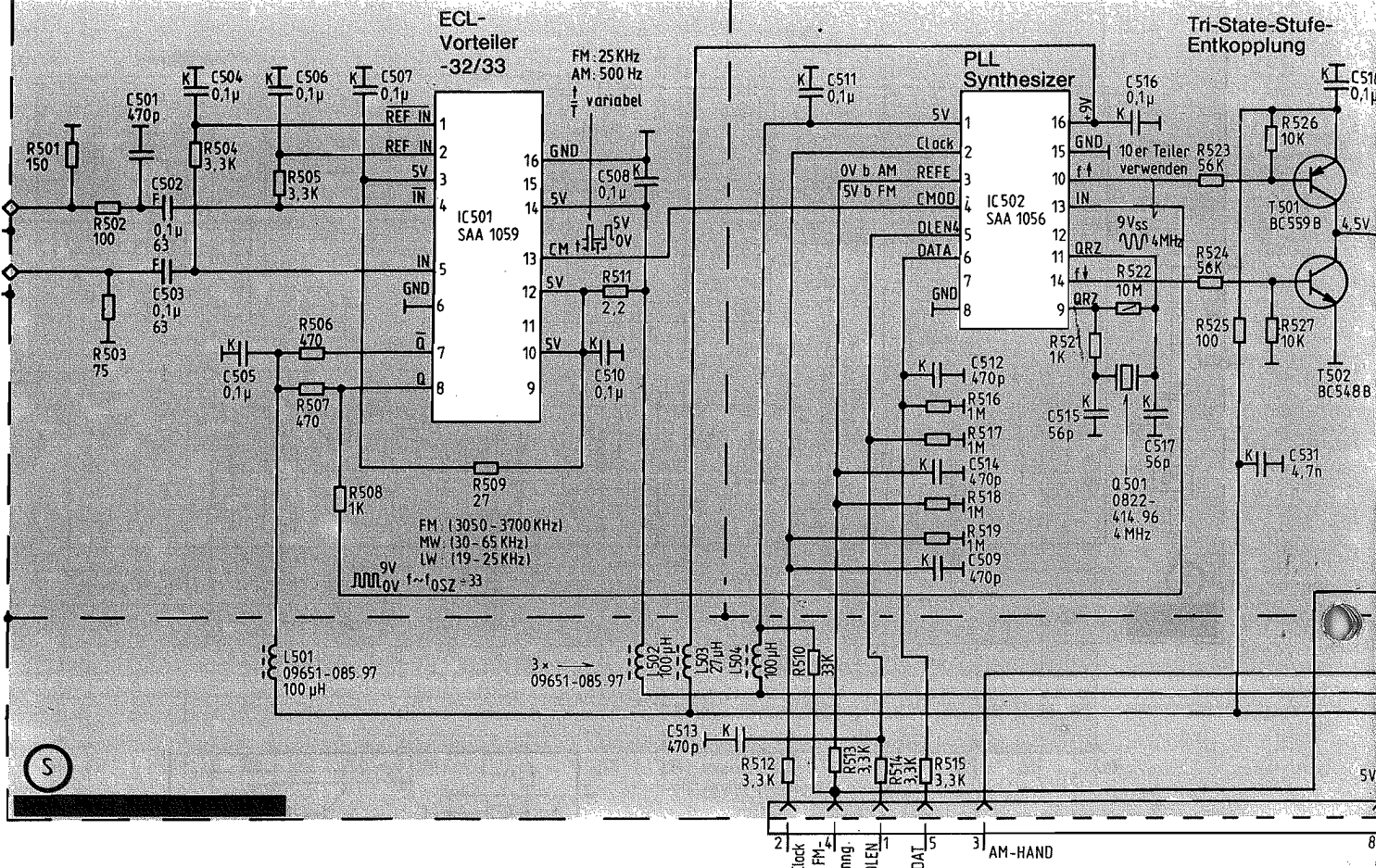


FM-Platte, Lötseite 59311-164.00
FM BOARD, SOLDER SIDE
CIRCUIT IMPRIME FM, COTE SOUDURES
PIASTRA FM, LATO SALDATURE

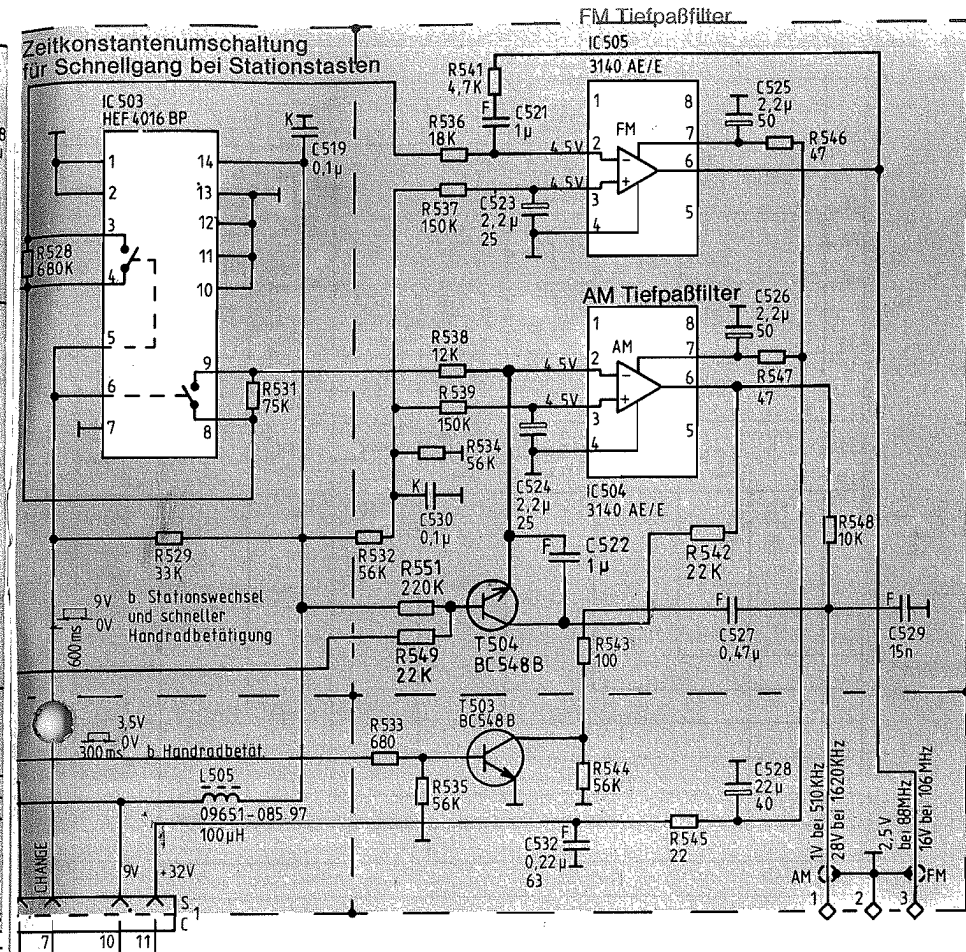
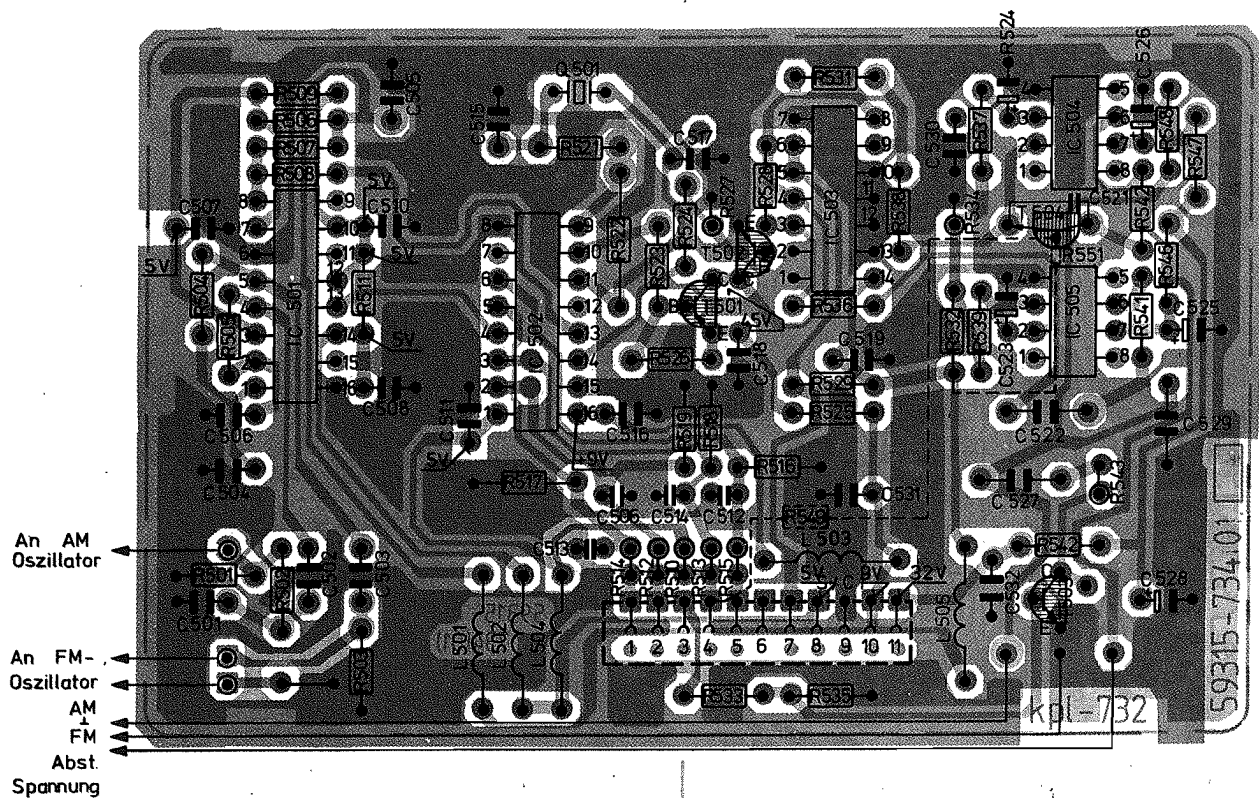


IC 301 S 042 P

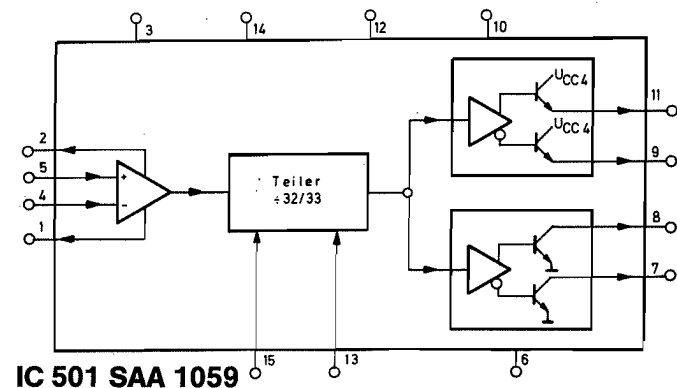




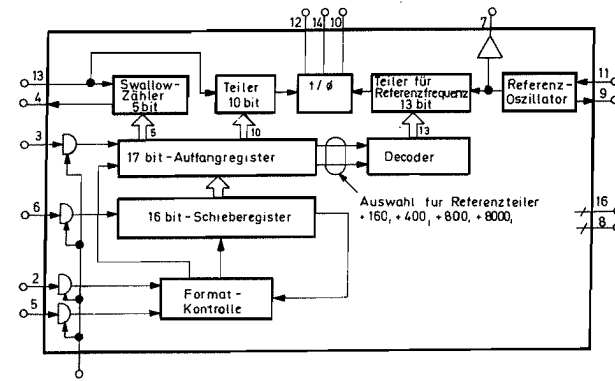
Synth. Modul-Platte, Lötselste 59315-136.00
SYNTH. MODULE BOARD, SOLDER SIDE
CIRCUIT IMPRIME MODULE SYNTH., COTE SOUDURES
PIASTRA MODULO SINT., LATO SALDATURE



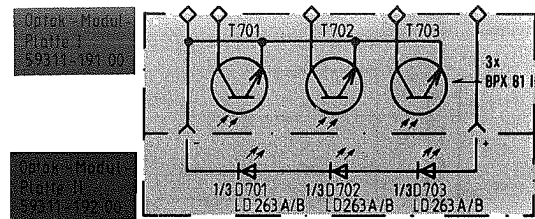
Optokoppler-Modul-Platte 1 u. 2, Lötselste 59311-191.00/192.00
OPTOCOUPLER MODUL BOARD 1 AND 2, SOLDER SIDE
CIRCUIT IMPRIME MODULES OPTOCOUPLEUR 1 ET 2, COTE SOUDURES
PIASTRA MODULO OPTOACCOPIATORE 1 E 2, LATO SALDATURE



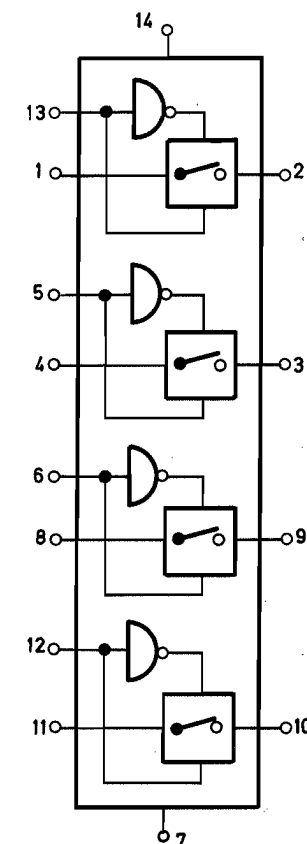
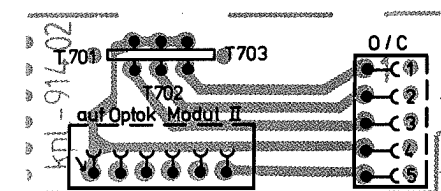
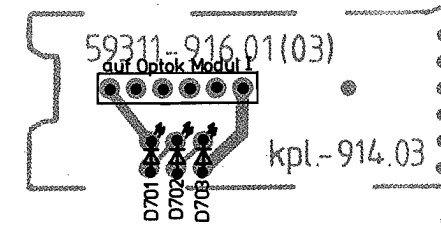
IC 501 SAA 1059



IC 502 SAA 1056



Optokoppler für Handradbetätigung

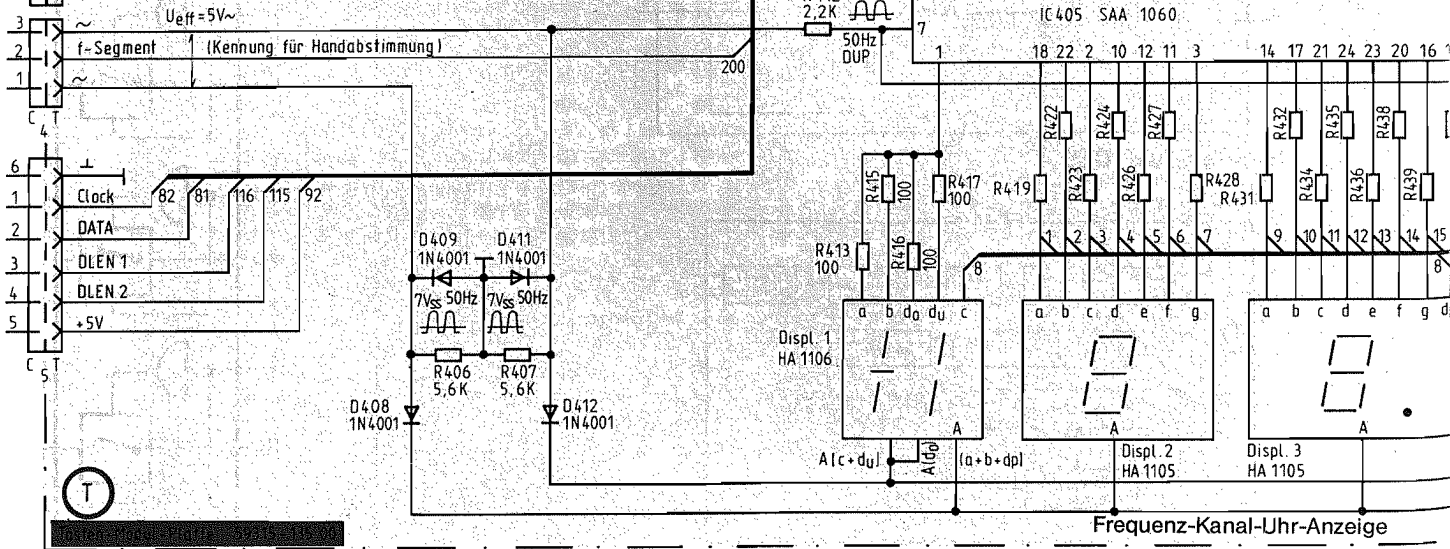
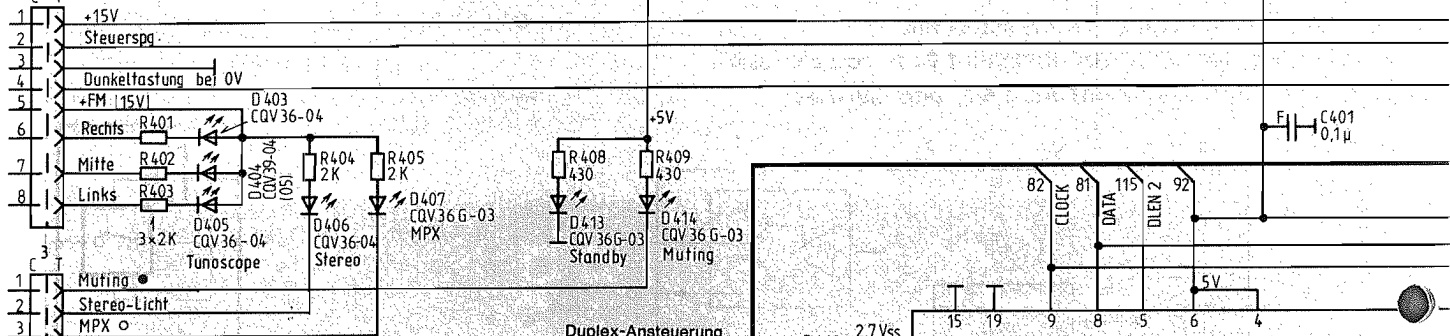
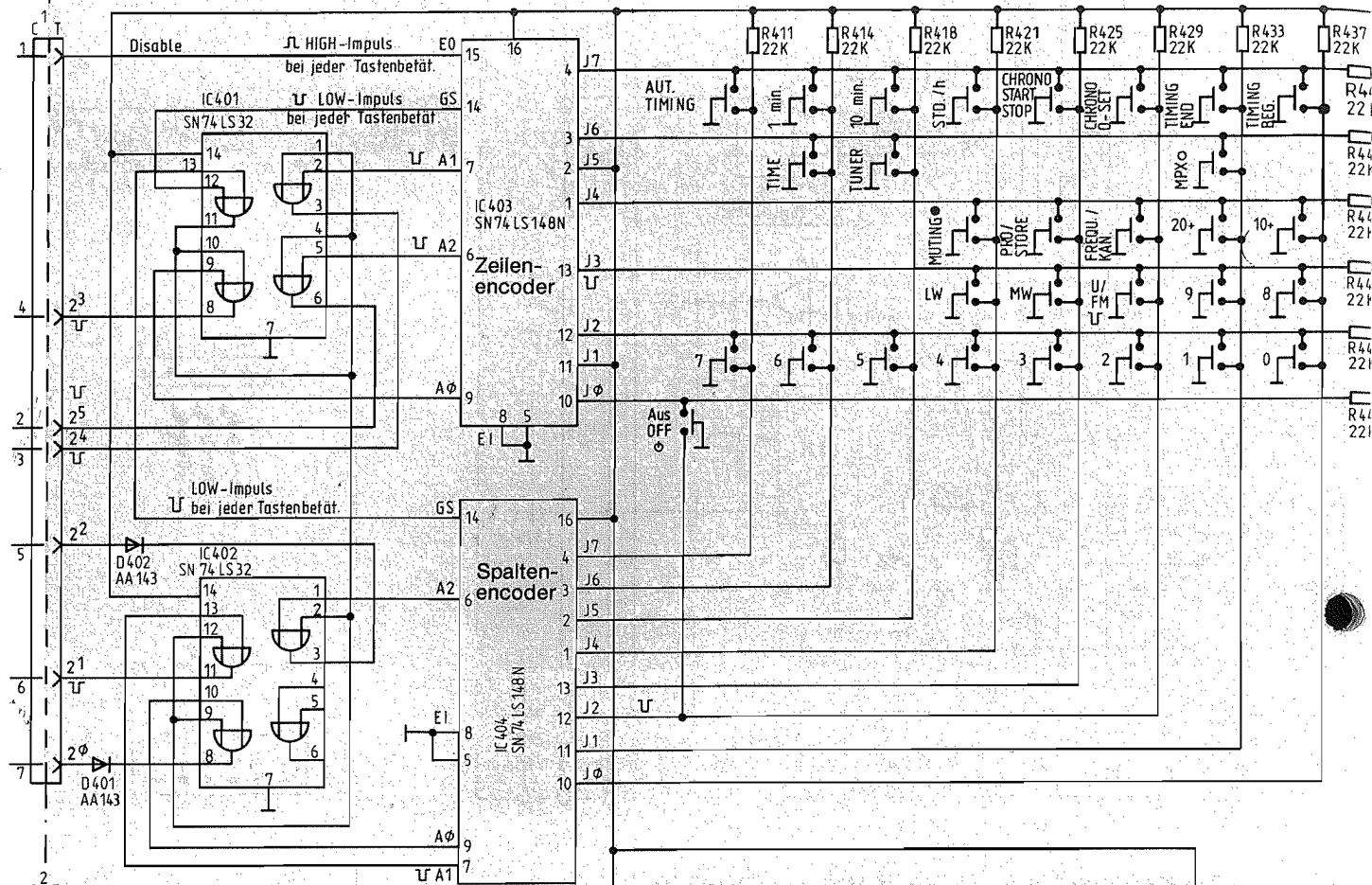


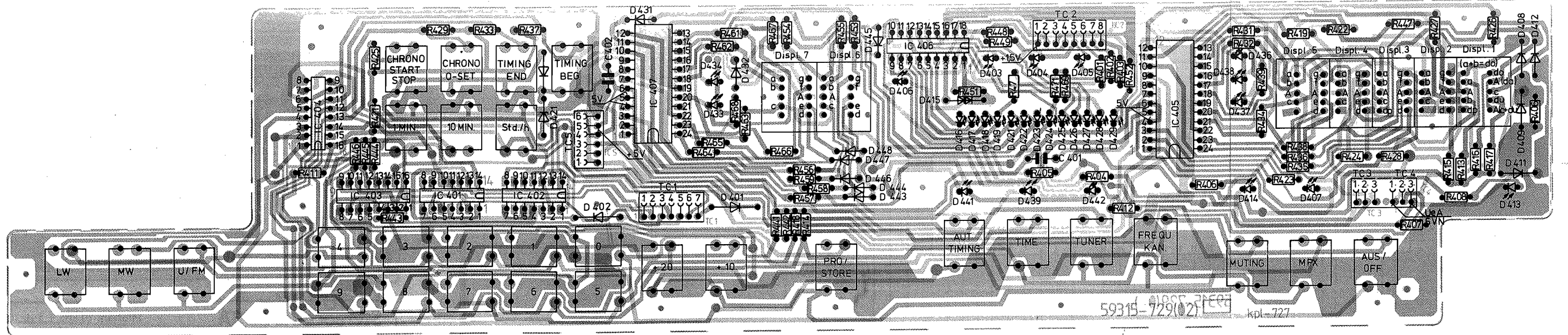
IC 503 HEF 4016 P

Freigabe der Encodierten Eingangsdaten

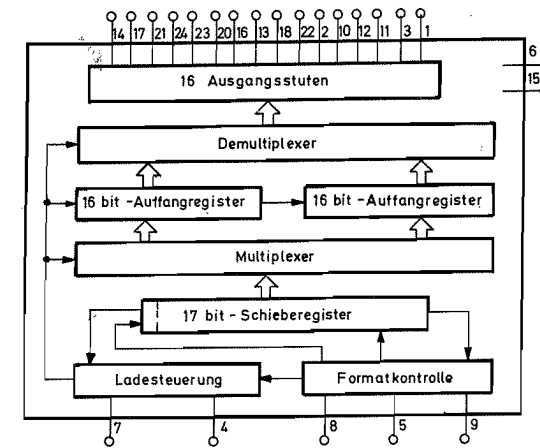
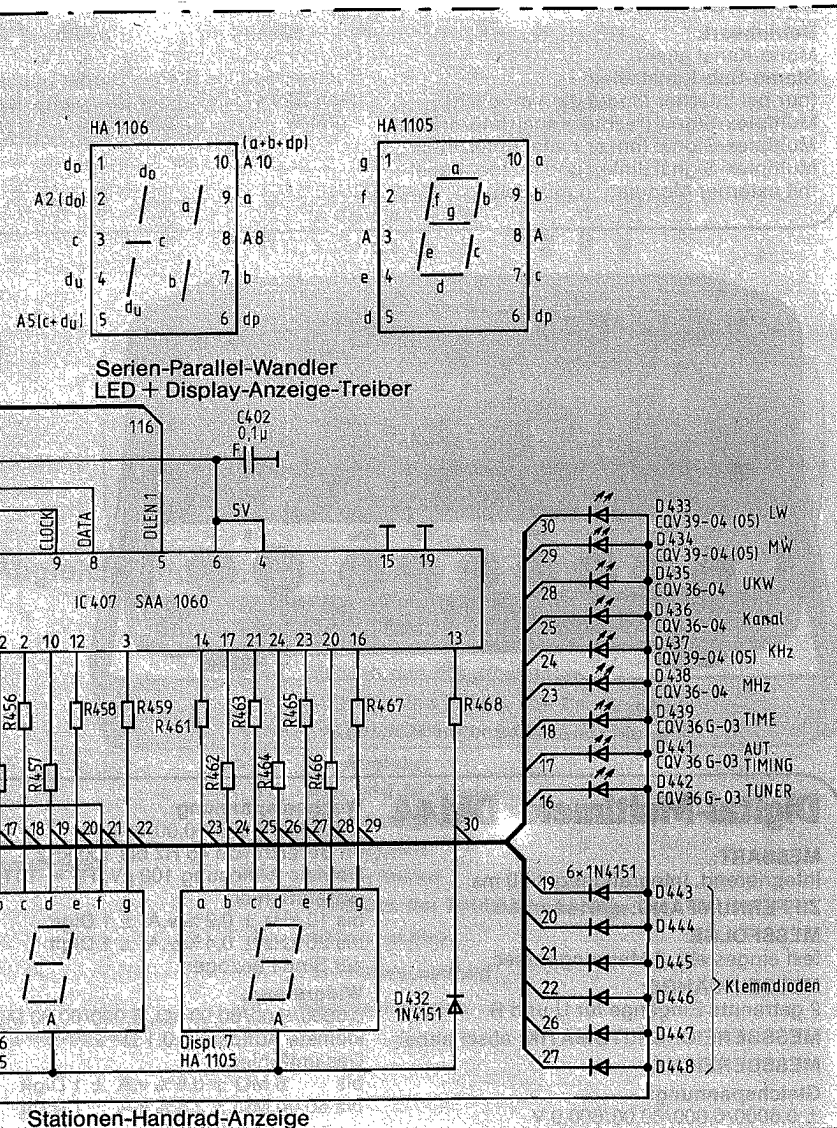
Eingezeichnete Impulse entstehen wenn U/FM-Taste gedrückt wird

Tastensatz

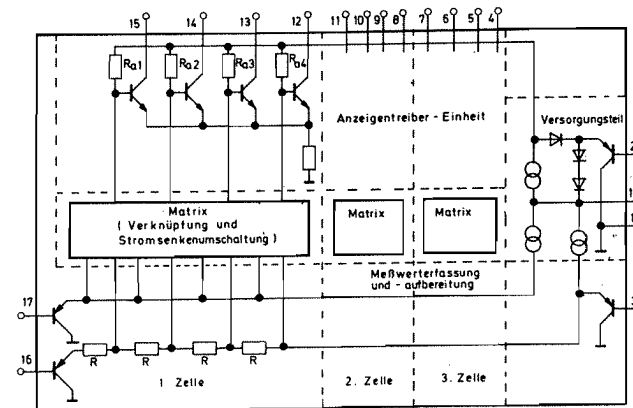




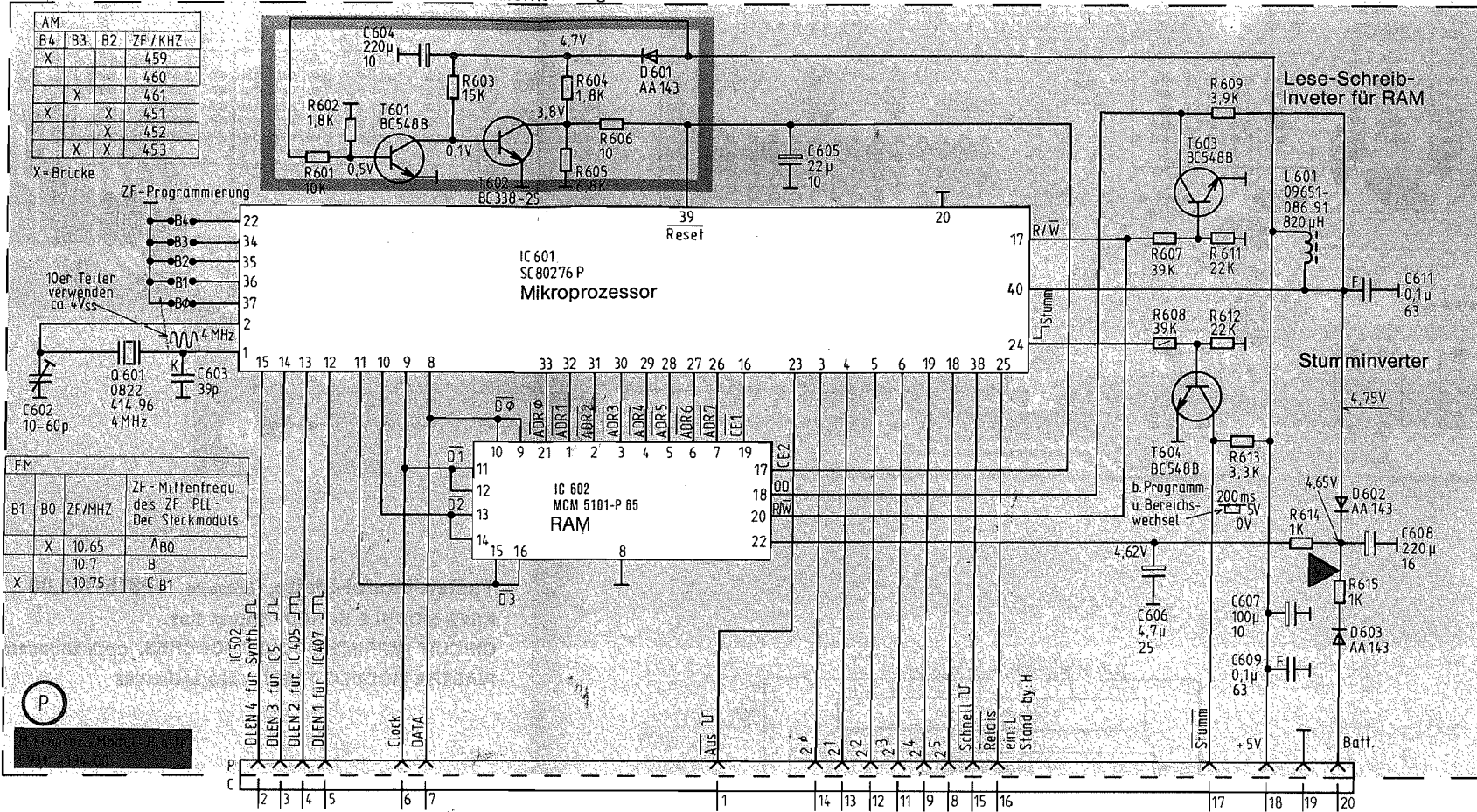
Tasten-Modul-Platte, Lötseite 59315-135.00
KEYS MODULE BOARD, SOLDER SIDE
CIRCUIT IMPRIME MODULE TOUCHES, COTE SOUDURES
PIASTRA MODULO TASTI, LATO SALDATURE



IC 406 UAA 180



IC 405 IC 407 SAA 1060



Mikroproz.-Modul-Platte, Lötselbe 59311-194.00

MICROPROCESSOR MODULE BOARD, SOLDER SIDE

CIRCUIT IMPRIME MODULE MICROPROCESSEUR, COTE SOUDURES

PIASTRA MODULO MICROPROCESSORE, LATO SALDATURE

